
GROUP 22

**MANUAL
TRANSMISSION**

CONTENTS

MANUAL TRANSMISSION	22-2	TRANSMISSION CONTROL	22-4
GENERAL INFORMATION.....	22-2	GENERAL INFORMATION.....	22-4

MANUAL TRANSMISSION**GENERAL INFORMATION**

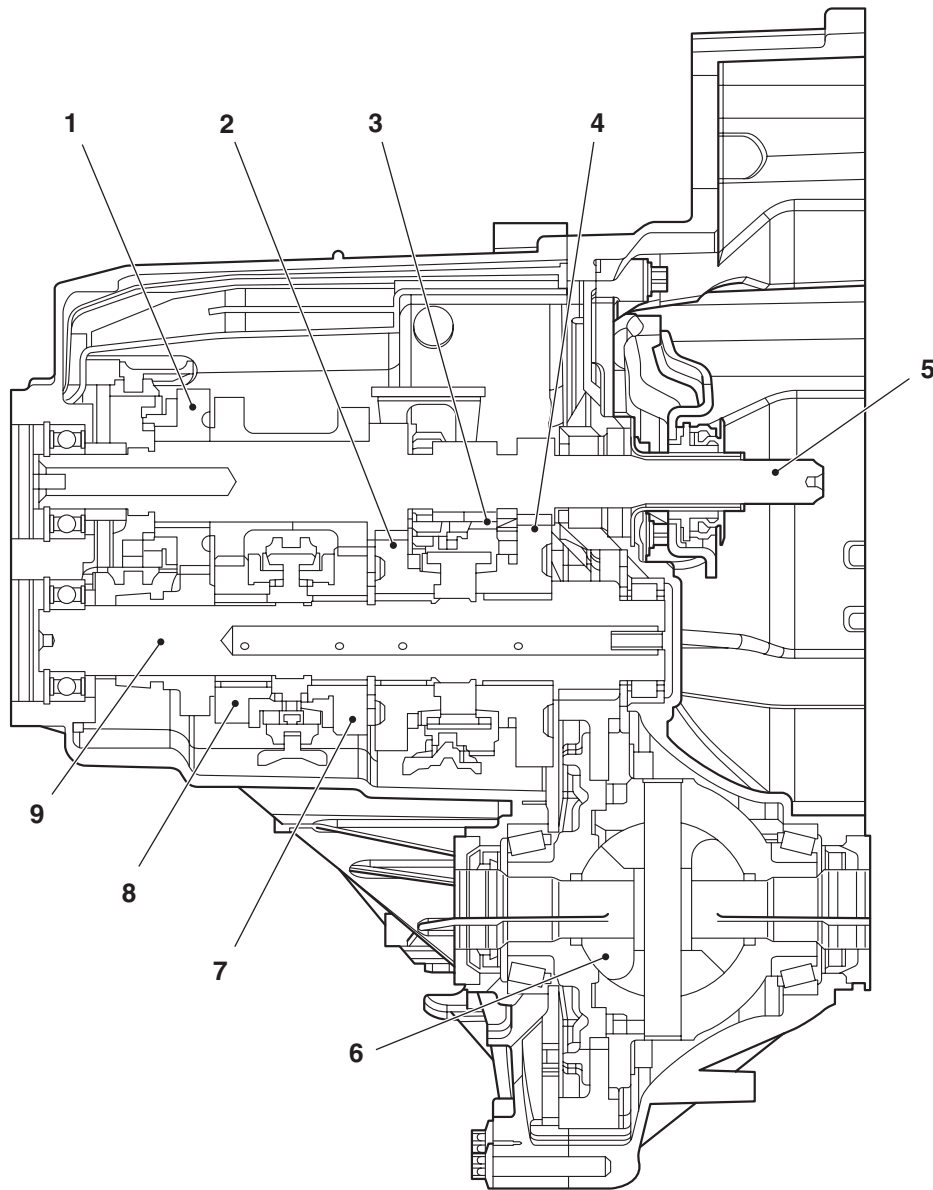
M2220000100592

Due to the addition of vehicles with M/T, a "GETRAG" F5MG type transmission has been adopted.

SPECIFICATIONS

Transmission model		F5MGA	F5MGB
Engine model		4A9	4G1
Transmission type		5-speed, floor-shift	
Transmission gear ratio	1st	3.308	3.538
	2nd	1.913	1.913
	3rd	1.258	1.344
	4th	0.943	1.027
	5th	0.763	0.833
	Reverse	3.231	3.357
Final reduction ratio		4.158	3.737
Transmission fluid	Specified lubricants	Dia-Queen wide gear oil G-1 SAE 75W-90 API GL-4	
	Quantity L	1.75	

SECTIONAL VIEW



- 1. 5th gear
- 2. 2nd gear
- 3. reverse gear
- 4. 1st gear
- 5. Input shaft

- 6. Differential
- 7. 3rd gear
- 8. 4th gear
- 9. Output shaft

AC311790AE

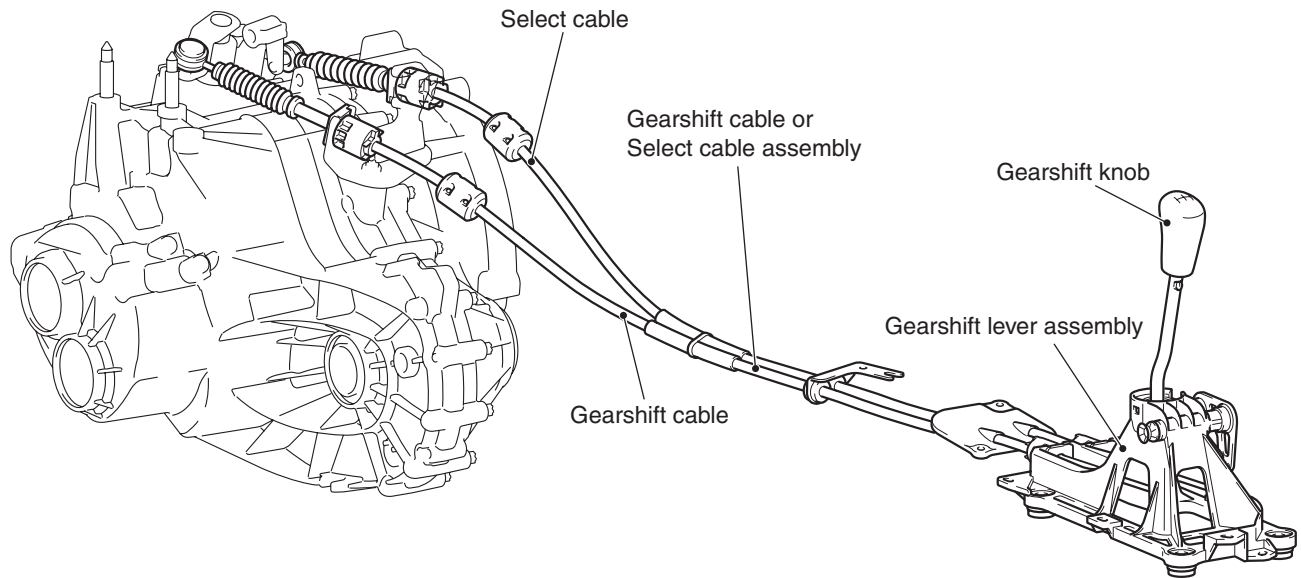
TRANSMISSION CONTROL

GENERAL INFORMATION

M2222000100242

Due to the addition of vehicles with M/T, the following transmission control has been established.

CONSTRUCTION DIAGRAM



AC600701AB