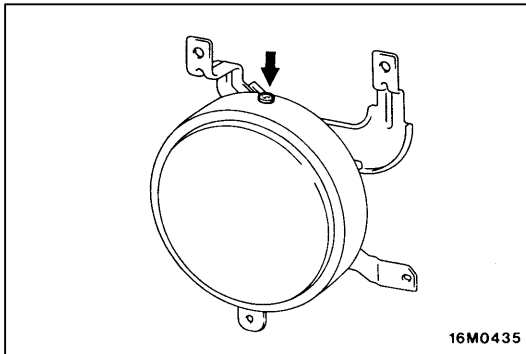


CHASSIS ELECTRICAL

CONTENTS

FRONT FOG LAMP 2





FRONT FOG LAMP

REMOVAL AND INSTALLATION

Refer to GROUP 51 – Front Bumper.

FOG LAMP BULB REPLACEMENT

- (1) After the fog lamp has been removed, remove the screw shown and remove the cover from the back of the lamp.
- (2) Replace the fog lamp bulb with a new one.