

GROUP 2

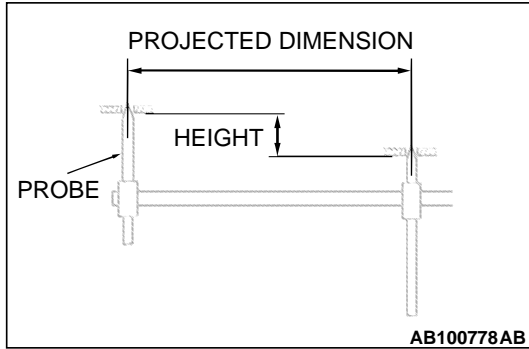
BODY DIMENSIONS

CONTENTS

BODY DIMENSIONS AND MEASUREMENT METHODS	2-2	TYPE B (ACTUAL-MEASUREMENT DIMENSIONS)	2-8
TYPE A (PROJECTED DIMENSIONS)	2-4	UNDER BODY.....	2-8
UNDER BODY	2-4	SUSPENSION INSTALLATION DIMENSIONS	2-10
SUSPENSION INSTALLATION DIMENSIONS	2-6	FRONT BODY	2-12
		SIDE BODY	2-14
		REAR BODY	2-16
		INTERIOR	2-18

BODY DIMENSIONS AND MEASUREMENT METHODS

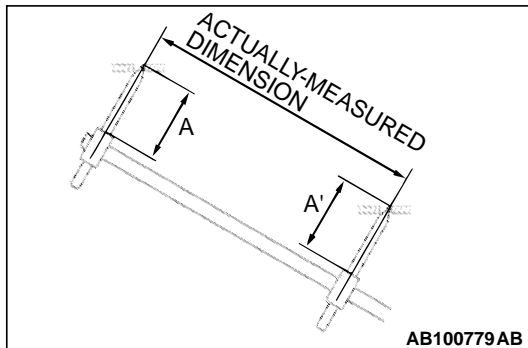
M4020001000095



1. Type A (projected dimensions)

Indicates the dimension when a measurement location is projected onto the plane.

The difference in height of the measurement points should be taken into consideration when measuring.



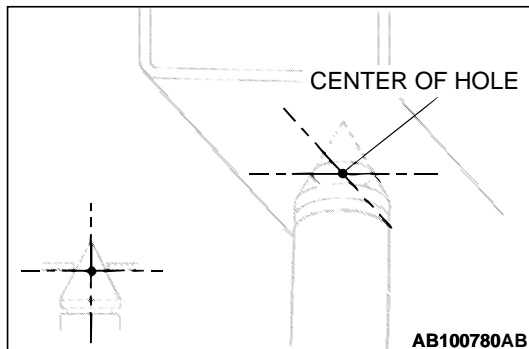
2. Type B (actual-measurement dimensions)

Indicates the actual distance between the measurement points.

Measure using a tracking gauge or a measuring tape, etc.

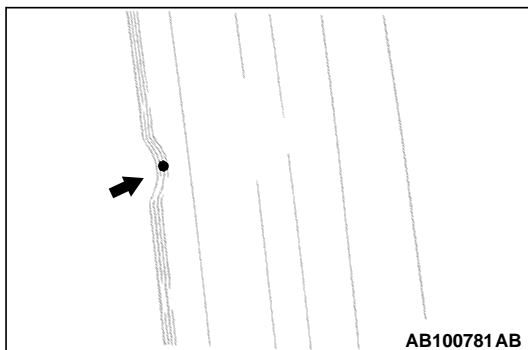
NOTE:

- Make the lengths of the tracking gauge probes the same ($A=A'$).
- Do not bend or twist the measuring tape.

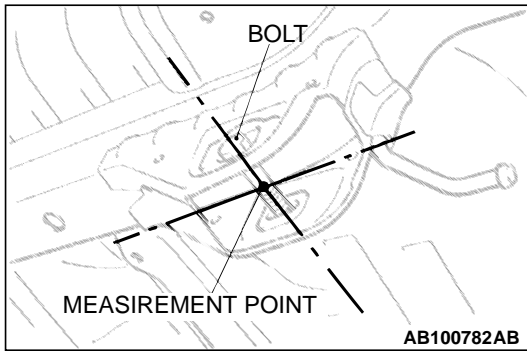


3. Insert the tracking gauge probes securely into the measurement holes.

4. When the standard dimensions in the illustration are enclosed by oblong, this indicates that the symmetrical left and right positions have the same dimensions.



5. When using a notch for dimension measurement, set the measuring point at the center of the notch.



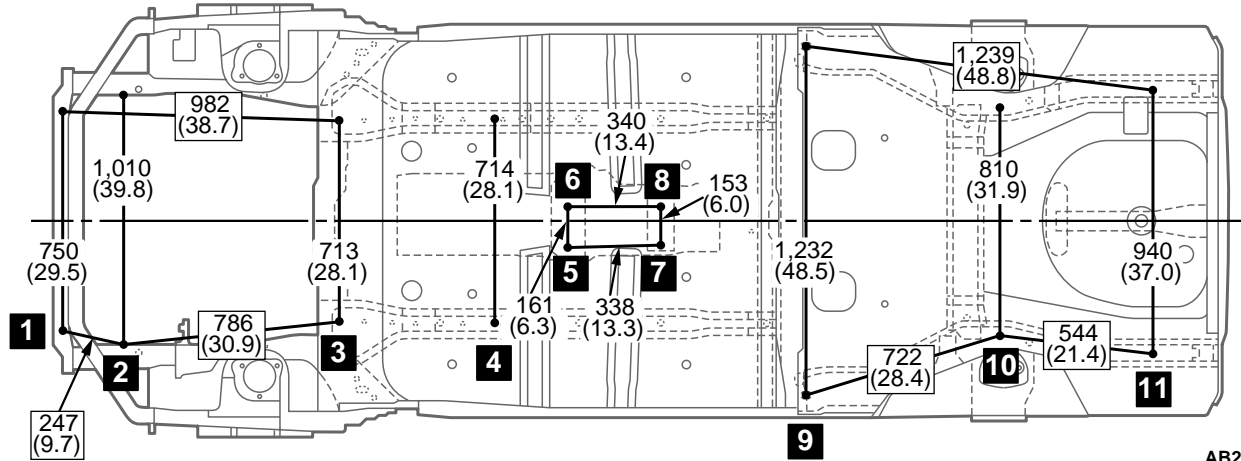
6. When measuring the suspension mounting arm, or link mounting position, use the suspension mounting bolt, etc. (Type B only)
7. The body center points are shown for the purpose of checking the position of the left and right symmetry location.

TYPE A (PROJECTED DIMENSIONS)

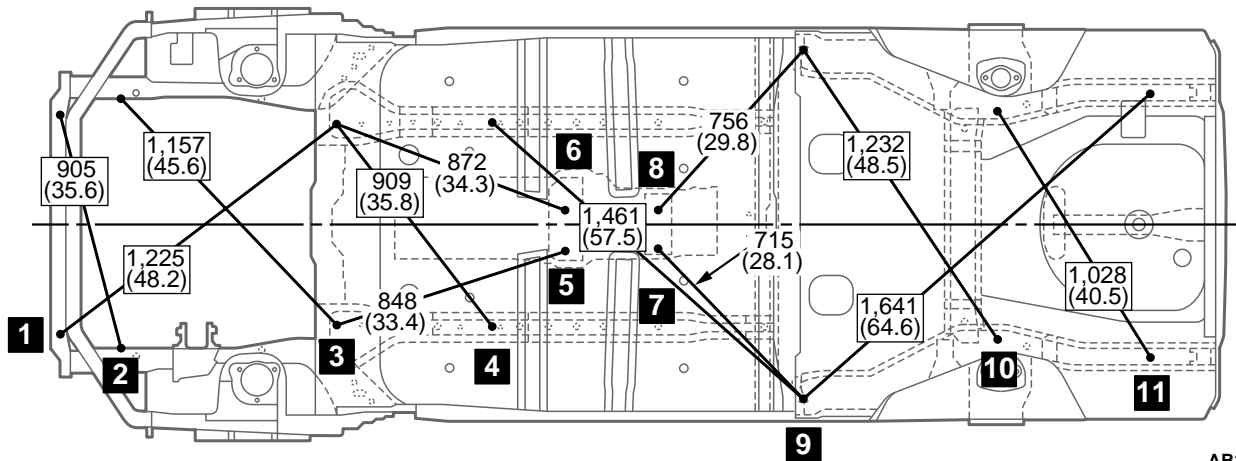
UNDER BODY

M4020005000150

mm (in)



AB201748AB



AB201749AB

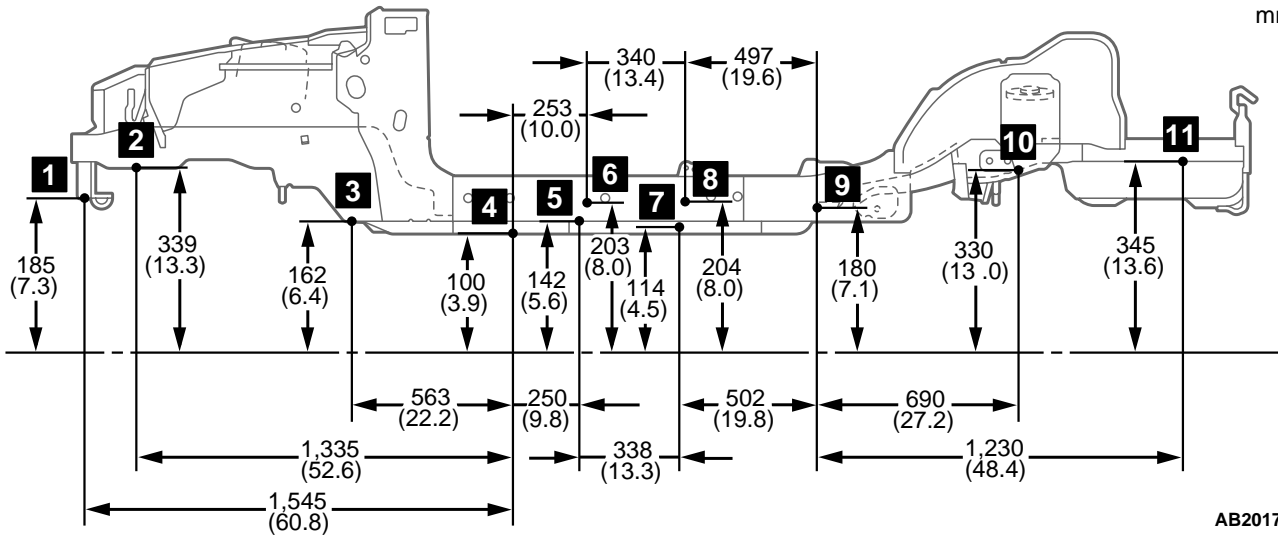
No.	STANDARD MEASUREMENT POINT	HOLE SHAPE-SIZE mm (in)
1*	Center of under cover mounting hole	Round-8 (0.3)
2	Front sidemember inner notch	-
3*	Center of crossmember mounting hole	Round-18 (0.7)
4*	Center of front floor sidemember positioning hole	Round-25 (1.0)
5*	Tip of center bearing mounting bolt (left-front side)	-
6	Tip of center bearing mounting bolt (right-front side)	-

No.	STANDARD MEASUREMENT POINT	HOLE SHAPE-SIZE mm (in)
7*	Tip of center bearing mounting bolt (left-rear side)	-
8	Tip of center bearing mounting bolt (right-rear side)	-
9*	Center of rear seat crossmember positioning hole	Oblong-22x38 (0.9x1.5)
10*	Center of crossmember mounting hole	Round-14 (0.6)
11*	Center of rear floor sidemember extension drain hole	Round-20 (1.0)

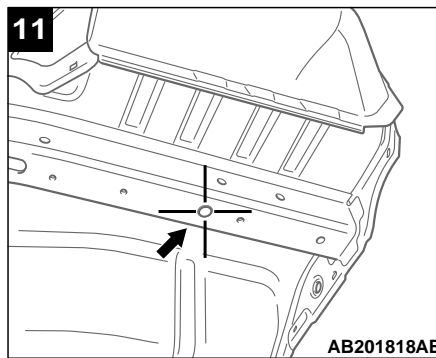
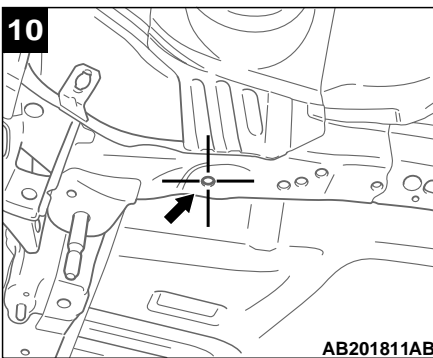
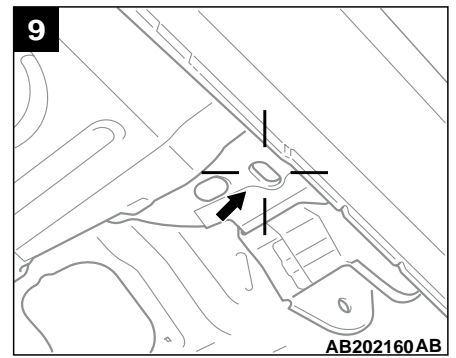
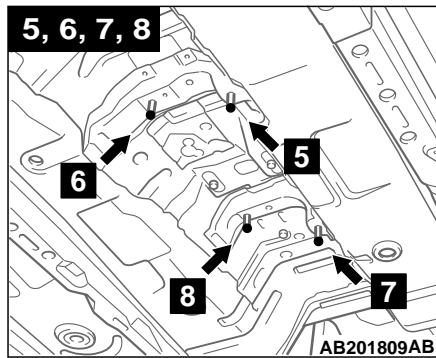
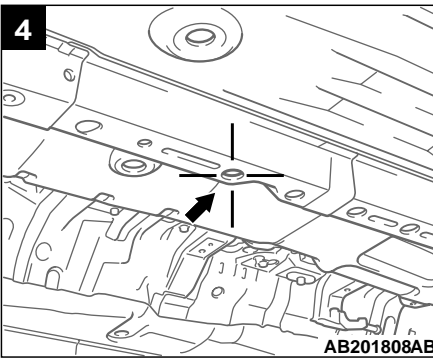
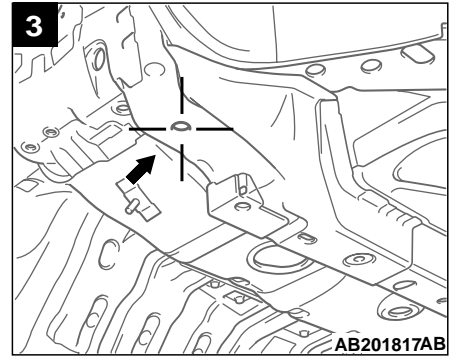
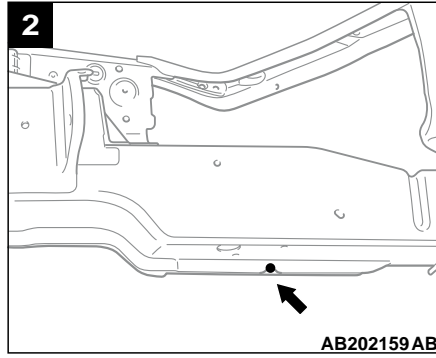
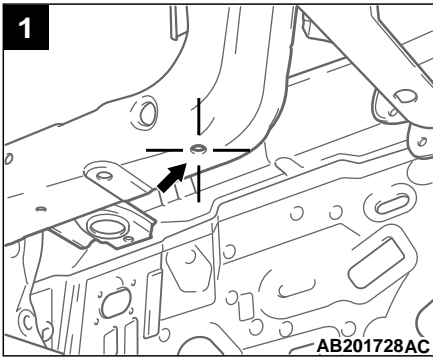
NOTE: The * mark indicates the mounting position for the frame centering gauge.

BODY DIMENSIONS TYPE A (PROJECTED DIMENSIONS)

mm (in)



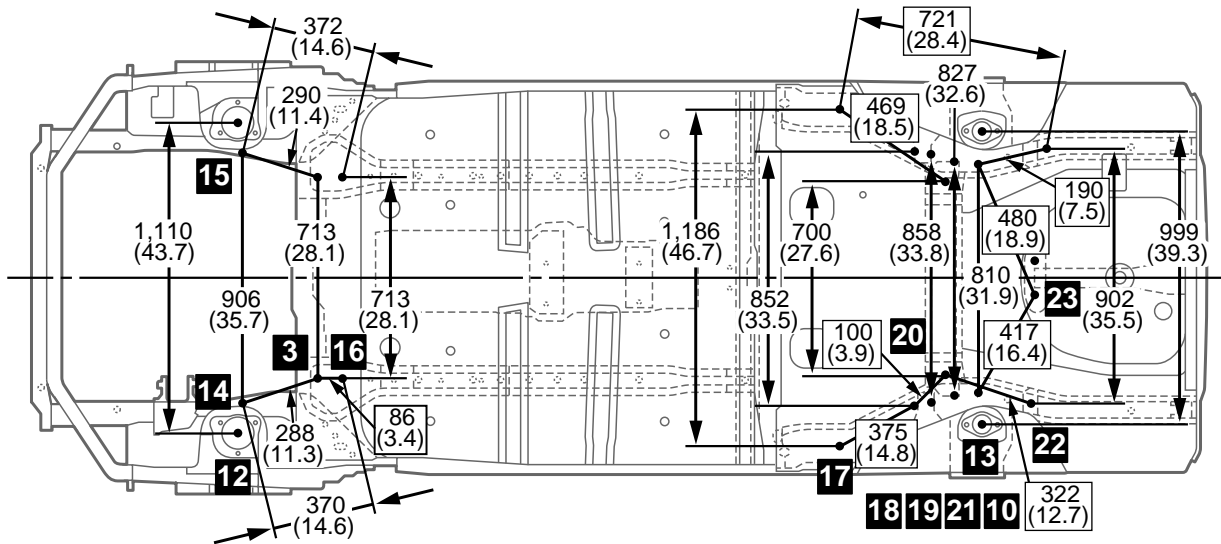
AB201750AB



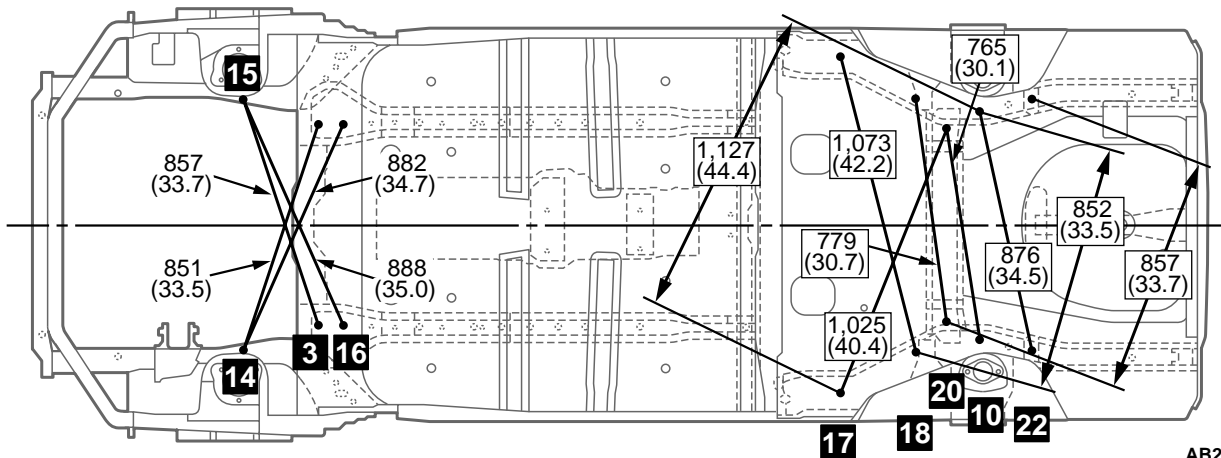
SUSPENSION INSTALLATION DIMENSIONS

M4020013000133

mm (in)



AB201751AB

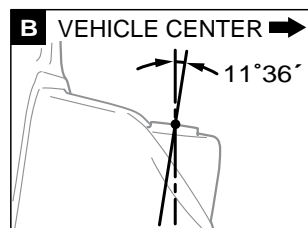
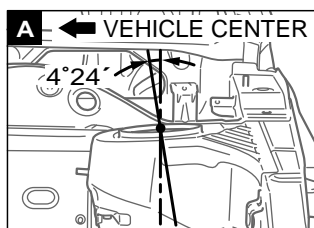


AB201752AB

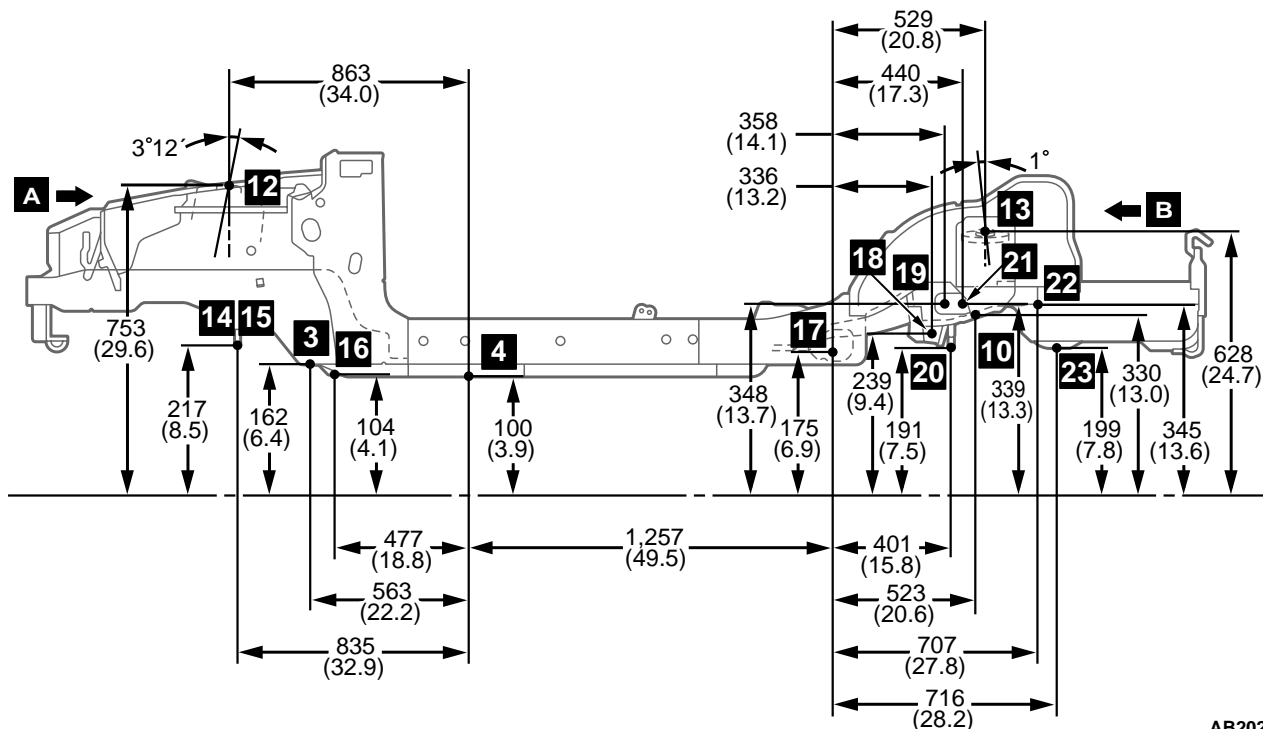
No.	STANDARD MEASUREMENT POINT	HOLE SHAPE— SIZE mm (in)
3	Center of crossmember mounting hole	Round—18 (0.7)
4	Center of front floor sidemember positioning hole	Round—25 (1)
10	Center of crossmember mounting hole	Round—14 (0.6)
12	Center of front shock absorber mounting hole	Round—110 (4.3)
13	Center of rear shock absorber mounting hole	Round—68 (2.7)
14	Tip of crossmember mounting bolt (left)	—
15	Tip of crossmember mounting bolt (right)	—

No.	STANDARD MEASUREMENT POINT	HOLE SHAPE— SIZE mm (in)
16	Center of crossmember mounting hole	Round—11 (0.4)
17	Trailing arm mounting position	—
18	Control link mounting position	—
19	Center of upper link mounting hole	Round—14 (0.5)
20	Tip of differential support mounting bolt	—
21	Center of upper link mounting hole	Round—14 (0.5)
22	Center of upper arm mounting hole	Round—13 (0.5)
23	Center of crossmember mounting hole	Round—15 (0.6)

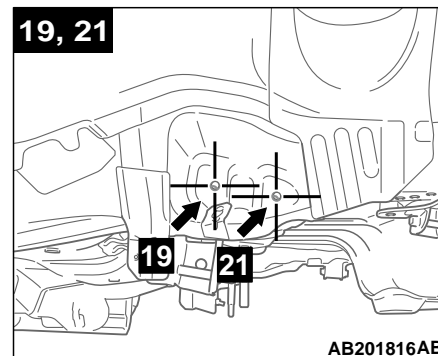
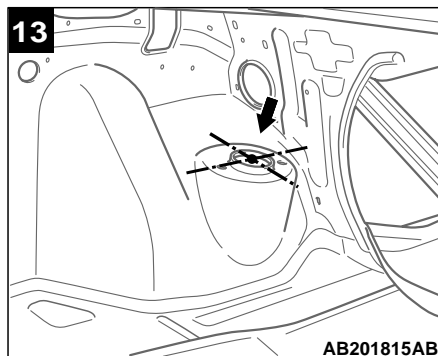
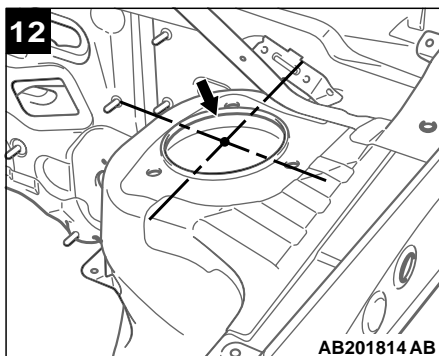
**BODY DIMENSIONS
TYPE A (PROJECTED DIMENSIONS)**



mm (in)



AB202155AB

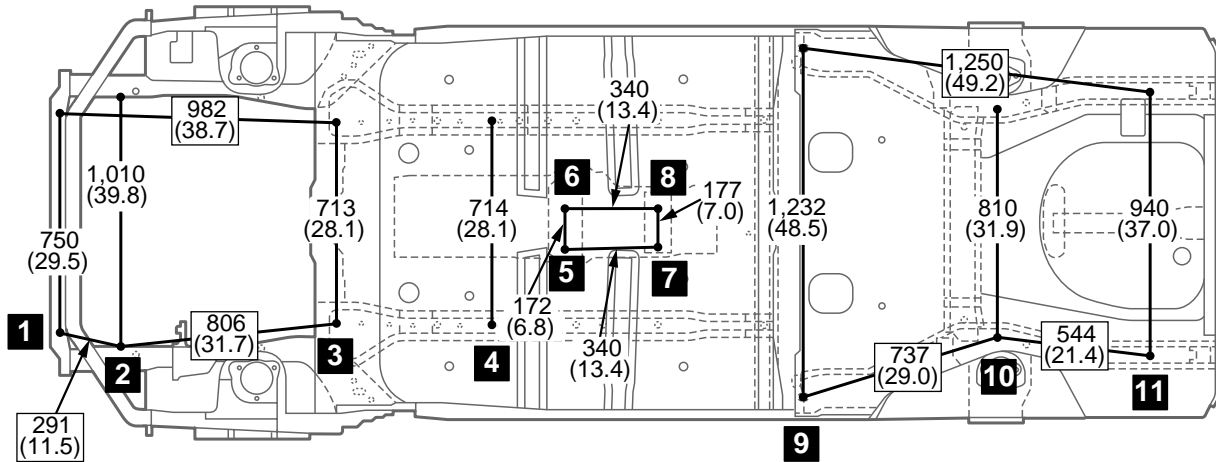


TYPE B (ACTUAL-MEASUREMENT DIMENSIONS)

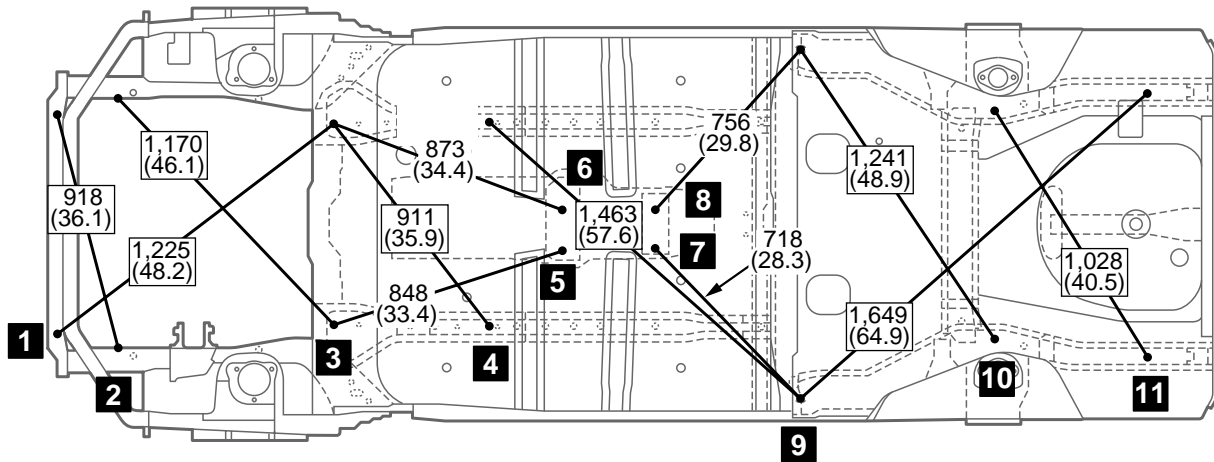
UNDER BODY

M4020005000161

mm (in)



AB201754AB

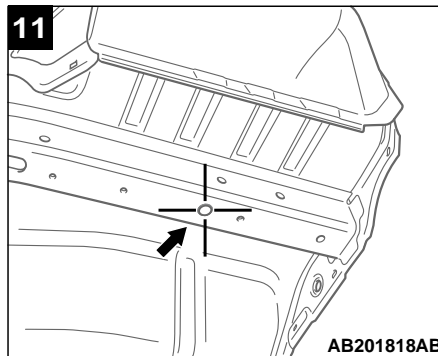
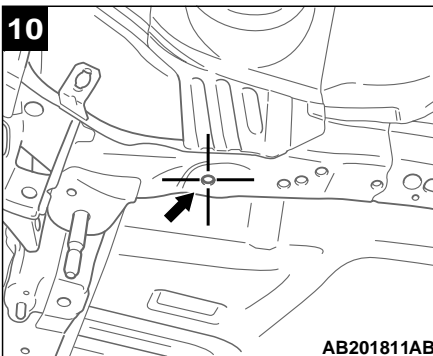
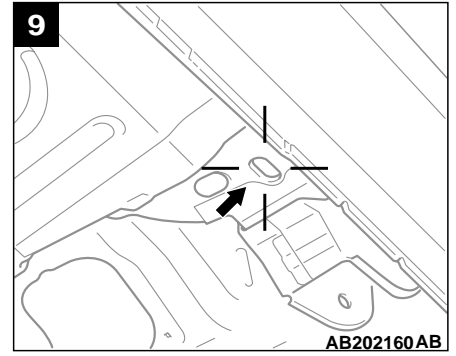
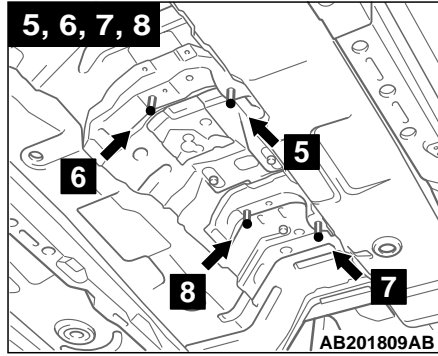
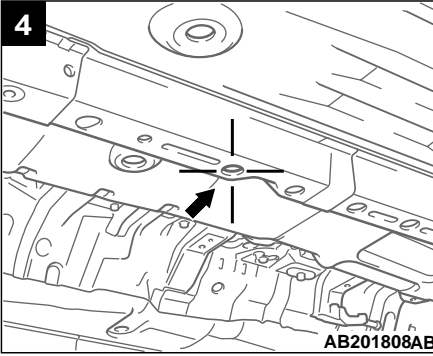
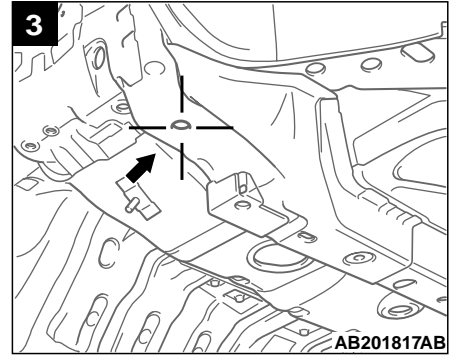
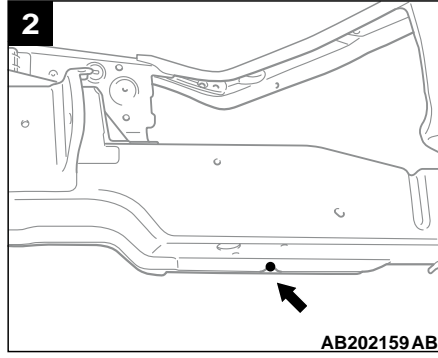
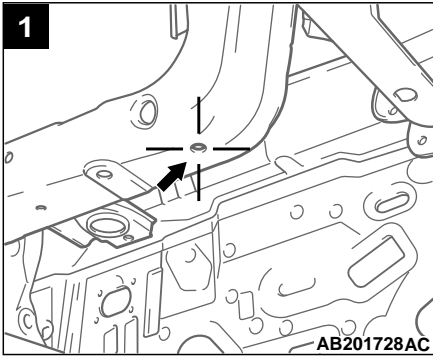


AB201755AB

No.	STANDARD MEASUREMENT POINT	HOLE SHAPE—SIZE mm (in)
1	Center of under cover mounting hole	Round—8 (0.3)
2	Front sidemember inner notch	—
3	Center of crossmember mounting hole	Round—18 (0.7)
4	Center of front floor sidemember positioning hole	Round—25 (1.0)
5	Tip of center bearing mounting bolt (left-front side)	—
6	Tip of center bearing mounting bolt (right-front side)	—

No.	STANDARD MEASUREMENT POINT	HOLE SHAPE—SIZE mm (in)
7	Tip of center bearing mounting bolt (left-rear side)	—
8	Tip of center bearing mounting bolt (right-rear side)	—
9	Center of rear seat crossmember positioning hole	Oblong—22×38 (0.9×1.5)
10	Center of crossmember mounting hole	Round—14 (0.6)
11	Center of rear floor sidemember extension drain hole	Round—20 (1.0)

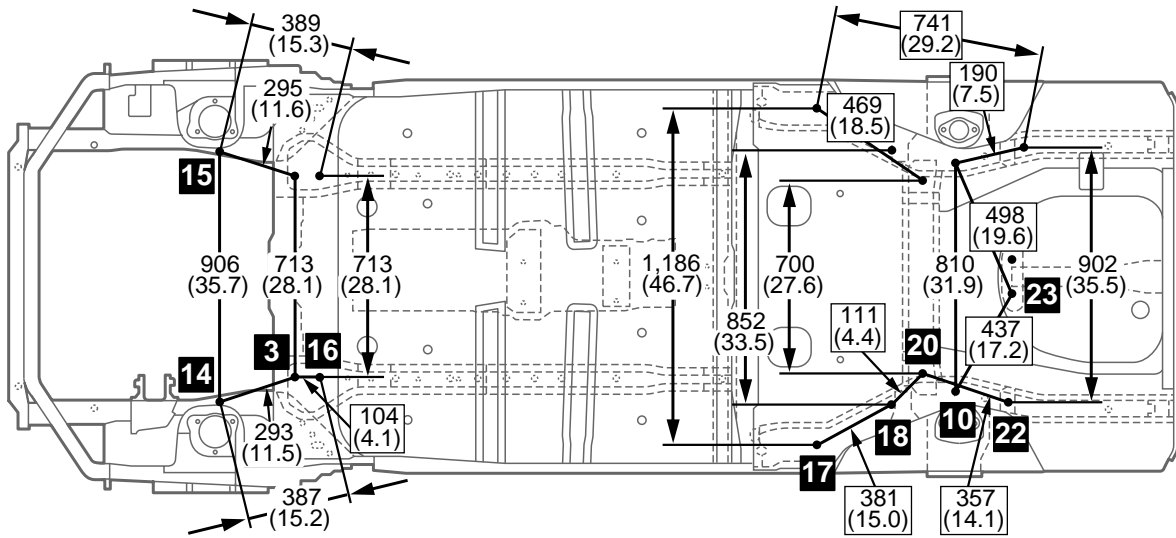
BODY DIMENSIONS
TYPE B (ACTUAL-MEASUREMENT DIMENSIONS)



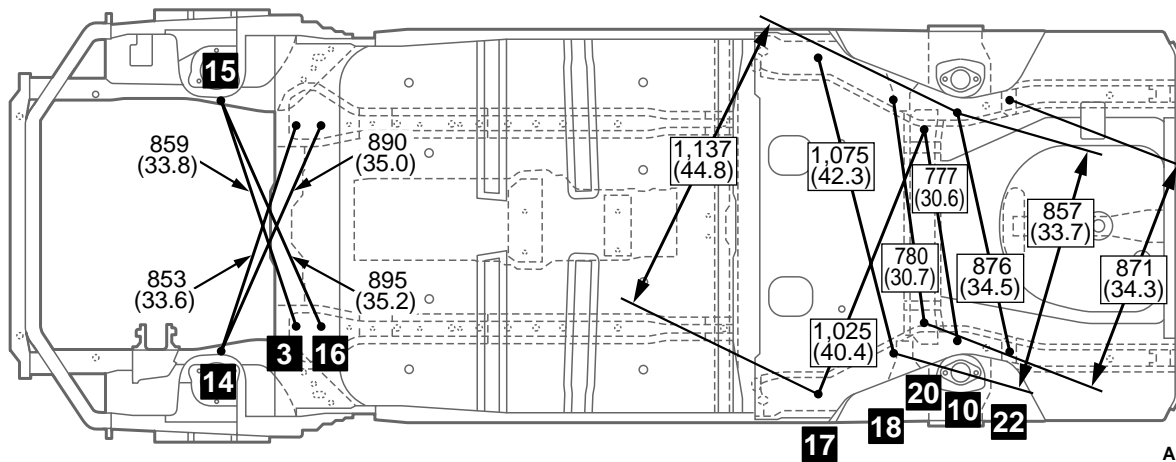
SUSPENSION INSTALLATION DIMENSIONS

M4020013000144

mm (in)



AB201756AB

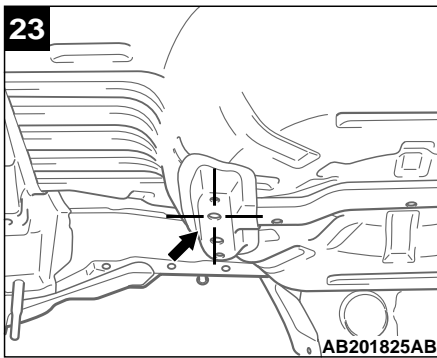
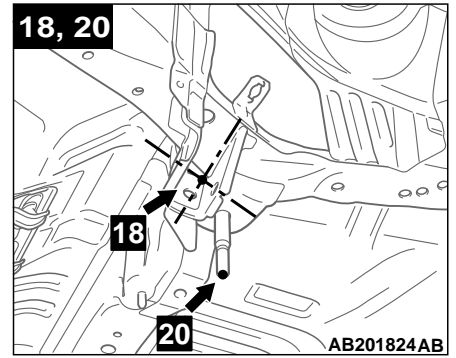
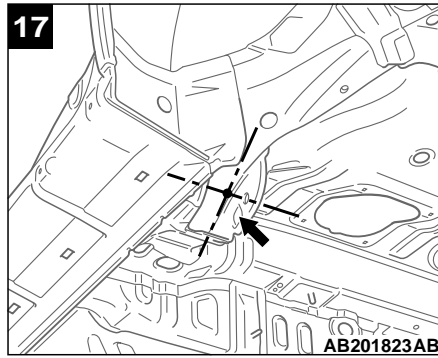
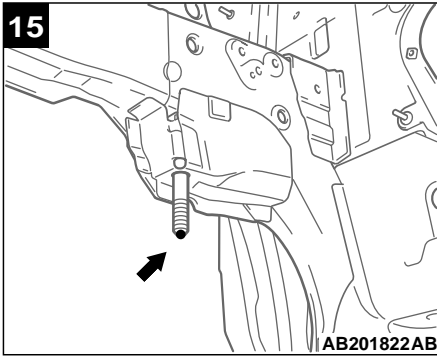
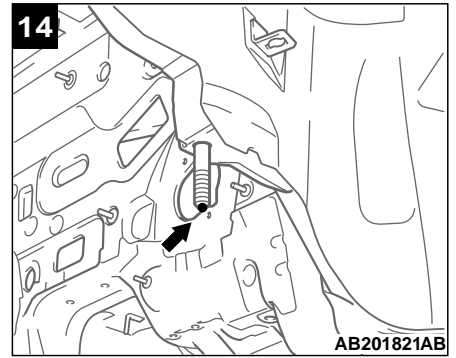
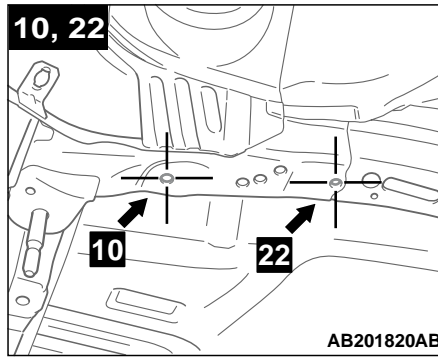
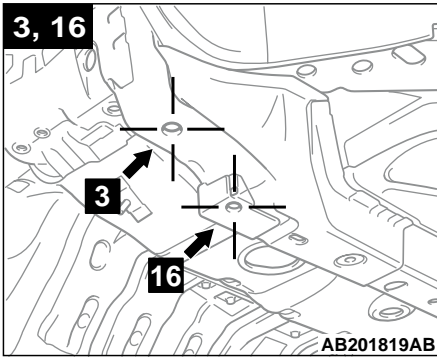


AB201757AB

No.	STANDARD MEASUREMENT POINT	HOLE SHAPE—SIZE mm (in)
3	Center of crossmember mounting hole	Round—18 (0.7)
10	Center of crossmember mounting hole	Round—14 (0.6)
14	Tip of crossmember mounting bolt (left)	—
15	Tip of crossmember mounting bolt (right)	—
16	Center of crossmember mounting hole	Round—11 (0.4)

No.	STANDARD MEASUREMENT POINT	HOLE SHAPE—SIZE mm (in)
17	Trailing arm mounting position	—
18	Control link mounting position	—
20	Tip of differential support mounting bolt	—
22	Center of upper arm mounting hole	Round—13 (0.5)
23	Center of crossmember mounting hole	Round—15 (0.6)

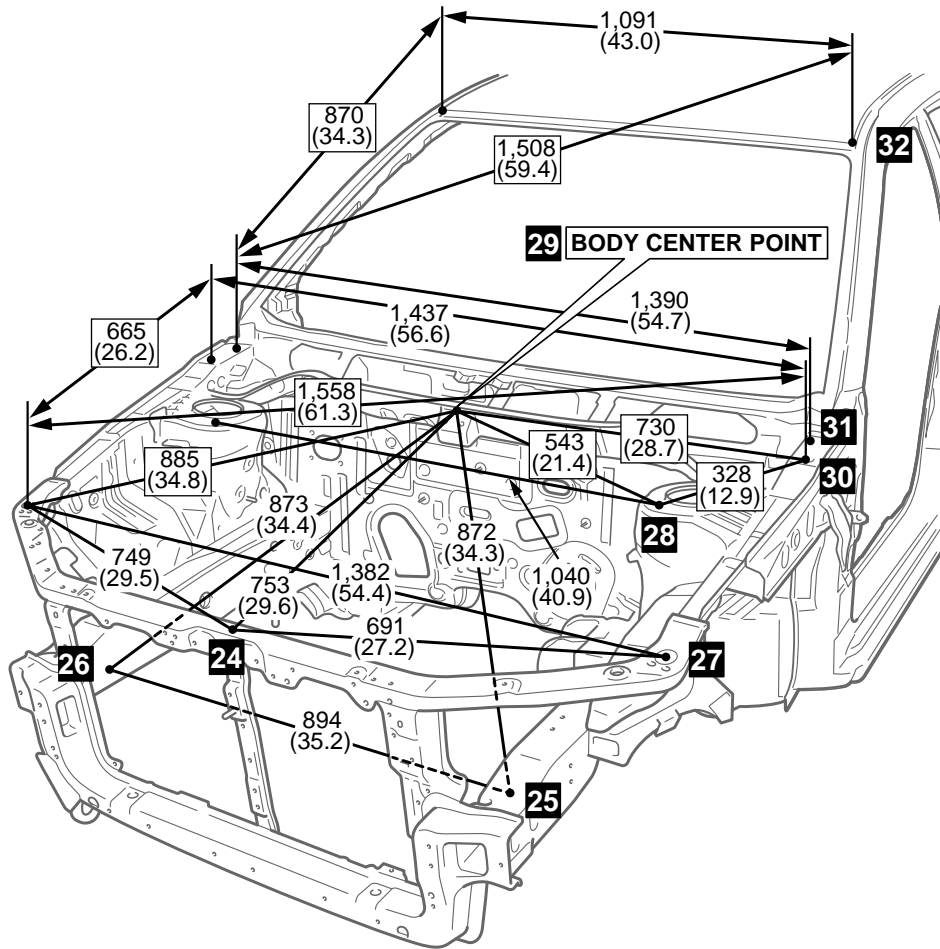
BODY DIMENSIONS
TYPE B (ACTUAL-MEASUREMENT DIMENSIONS)



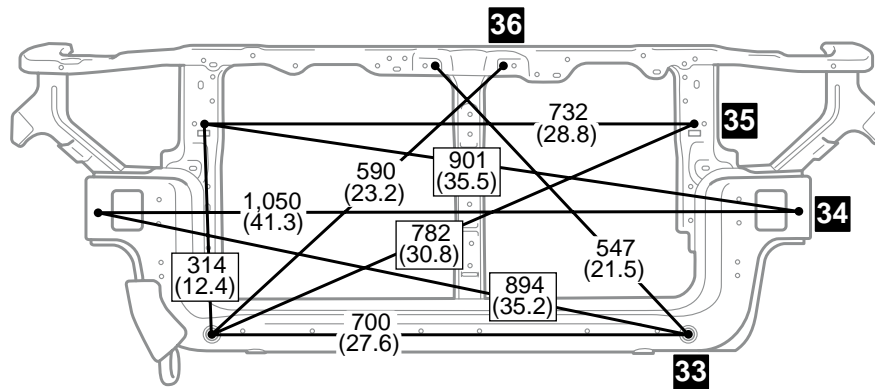
FRONT BODY

M4020006000078

mm (in)



AB201758AB



AB201759AB

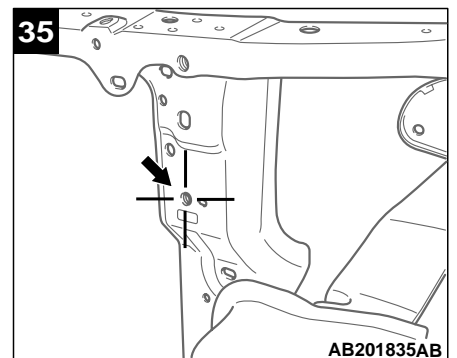
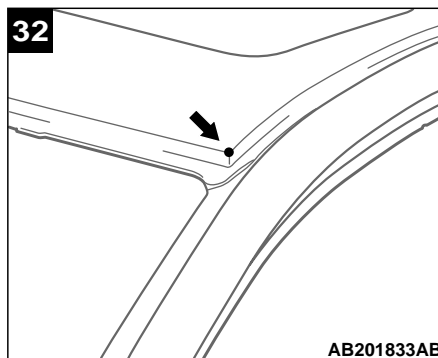
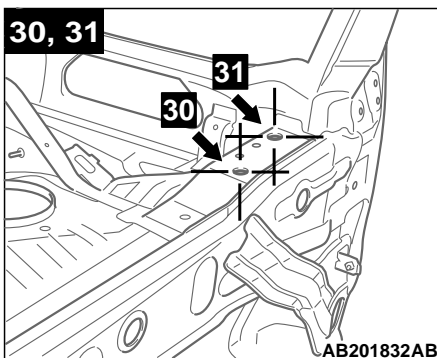
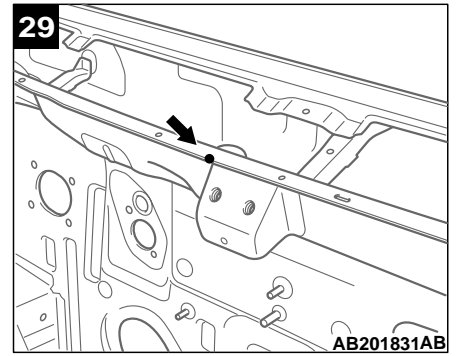
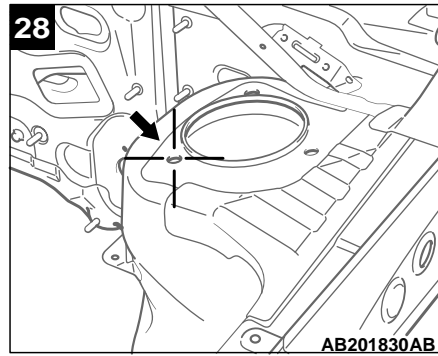
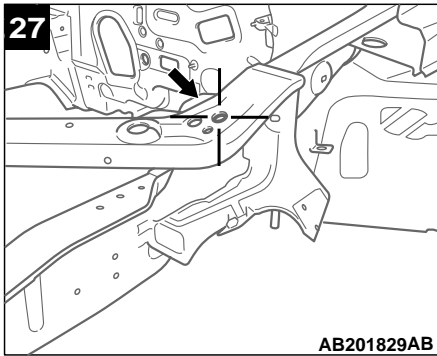
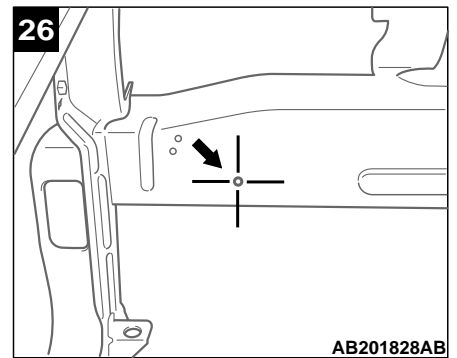
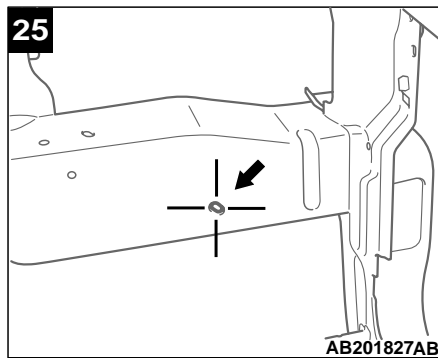
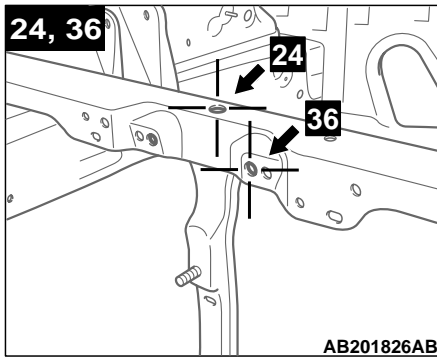
No.	STANDARD MEASUREMENT POINT	HOLE SHAPE— SIZE mm (in)
24	Center of front end crossmember upper water draining hole	Round—8 (0.3)
25	Center of harness clip mounting hole	Oblong—7×12 (0.3×0.5)
26	Center of intercooler pipe mounting hole	Round—9 (0.4)

No.	STANDARD MEASUREMENT POINT	HOLE SHAPE— SIZE mm (in)
27	Center of front fender mounting hole	Round—6.6 (0.3)
28	Center of front strut mounting hole	Round—11.5 (0.5)
29	Notch of front deck (Body center point)	—
30	Center of front fender mounting hole	Round—6.6 (0.3)

**BODY DIMENSIONS
TYPE B (ACTUAL-MEASUREMENT DIMENSIONS)**

No.	STANDARD MEASUREMENT POINT	HOLE SHAPE-SIZE mm (in)
31	Center of hood hinge mounting hole	Round-9 (0.4)
32	Corner of roof panel	-
33	Center of front end crossmember outer positioning hole	Round-20 (0.8)

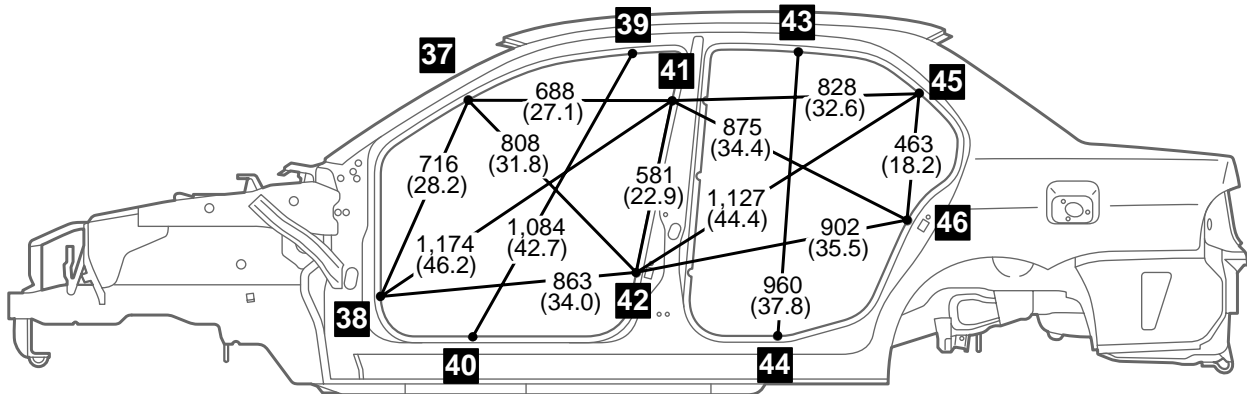
No.	STANDARD MEASUREMENT POINT	HOLE SHAPE-SIZE mm (in)
34	Center of front bumper reinforcement mounting hole	Round-9 (0.4)
35	Center of headlamp mounting hole	Round-6.6 (0.3)
36	Center of hood latch mounting hole	Round-6.6 (0.3)



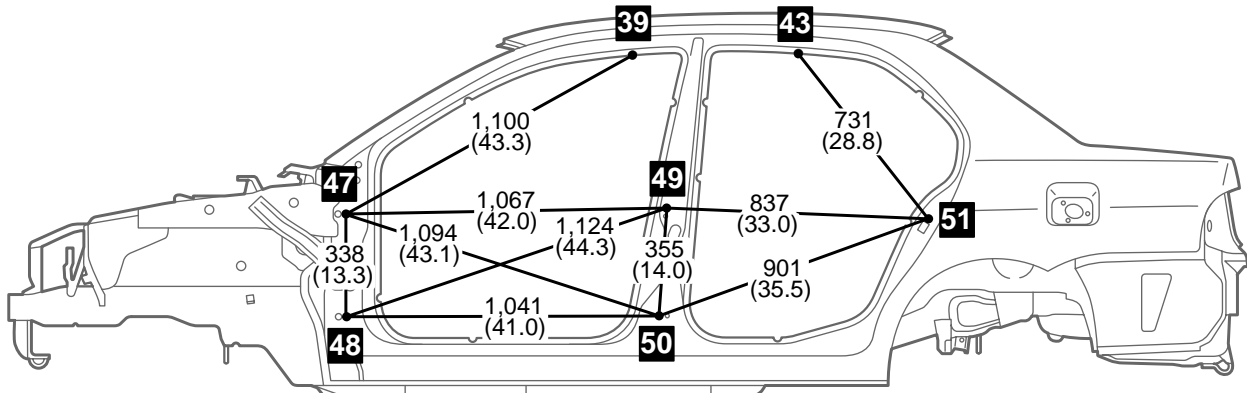
SIDE BODY

M4020007000071

mm (in)



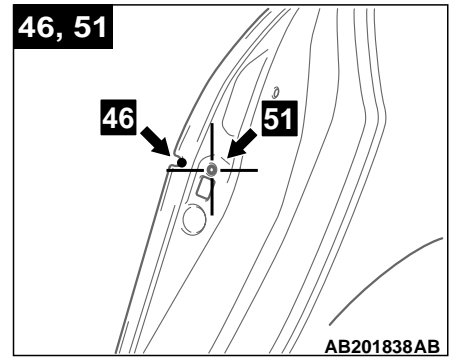
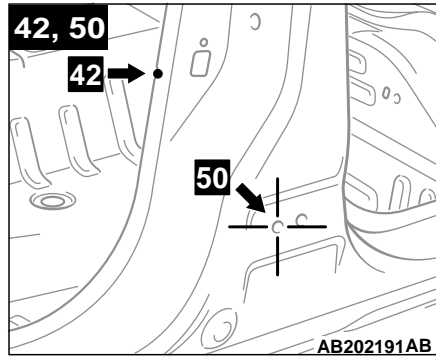
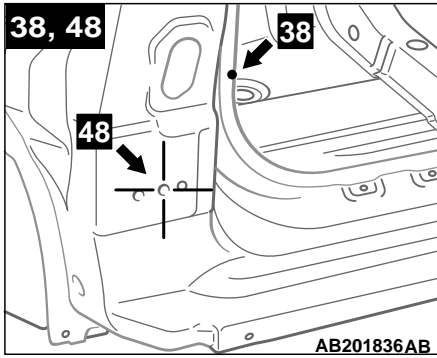
AB201760AB



AB201761AB

No.	STANDARD MEASUREMENT POINT	HOLE SHAPE— SIZE mm (in)
37	Front pillar positioning notch (upper)	—
38	Front pillar positioning notch (lower)	—
39	Side roof rail positioning notch (front)	—
40	Side sill positioning notch (front)	—
41	center pillar positioning notch (upper)	—
42	center pillar positioning notch (lower)	—
43	Side roof rail positioning notch (rear)	—
44	Side sill positioning notch (rear)	—

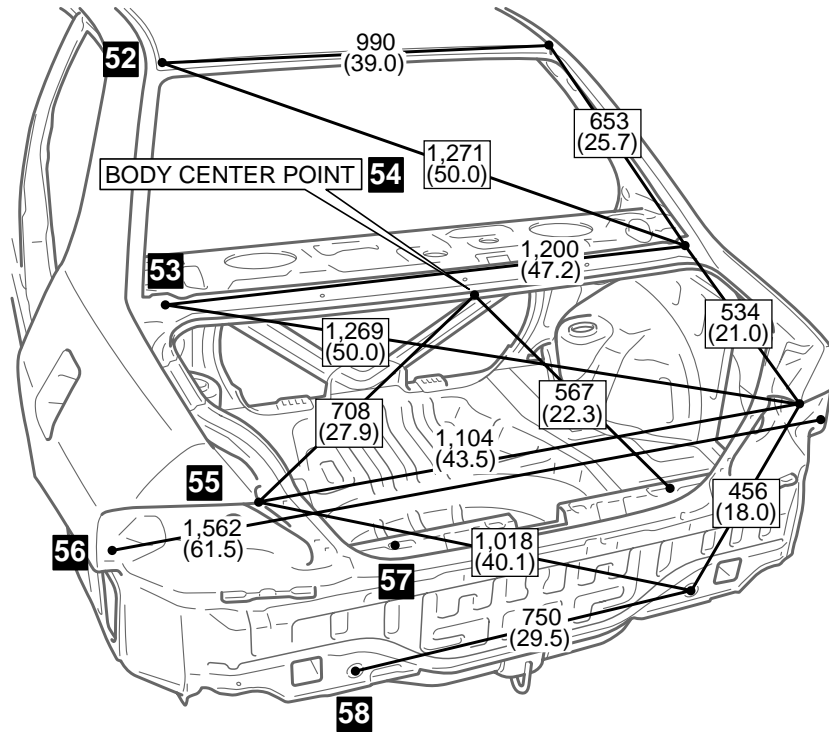
No.	STANDARD MEASUREMENT POINT	HOLE SHAPE— SIZE mm (in)
45	Quarter panel positioning notch (upper)	—
46	Quarter panel positioning notch (lower)	—
47	Center of front door hinge mounting hole (upper)	Round-11 (0.4)
48	Center of front door hinge mounting hole (lower)	Round-11 (0.4)
49	Center of rear door hinge mounting hole (upper)	Round-11 (0.4)
50	Center of rear door hinge mounting hole (lower)	Round-11 (0.4)
51	Center of rear door switch mounting hole	Round-5 (0.2)



REAR BODY

M4020008000085

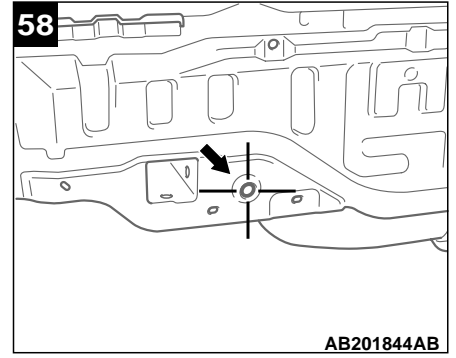
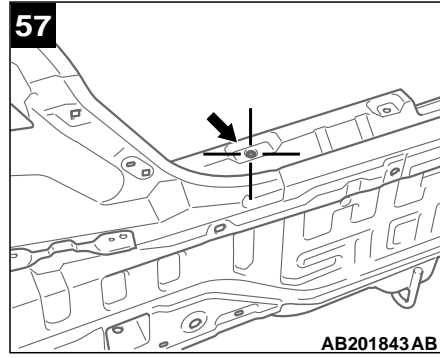
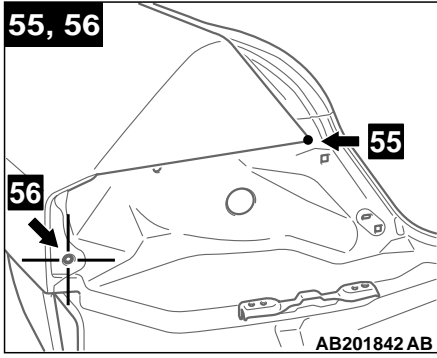
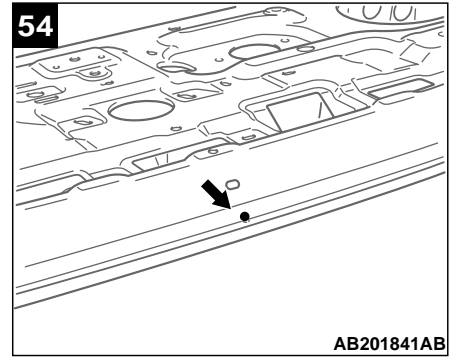
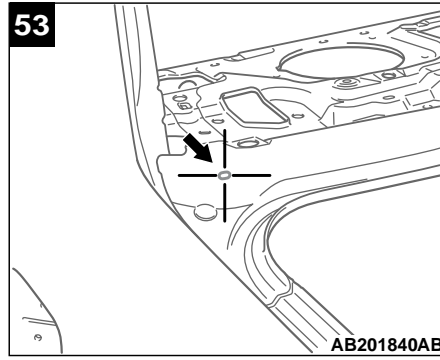
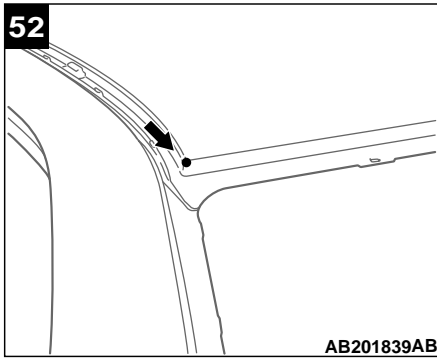
mm (in.)



AB201762AB

No.	STANDARD MEASUREMENT POINT	HOLE SHAPE—SIZE mm (in)
52	Corner of roof panel	—
53	Center of rear window moulding mounting hole	Oblong—7×11 (0.3×0.4)
54	Rear shelf body center point (Body center point)	—
55	Corner of side outer panel	—

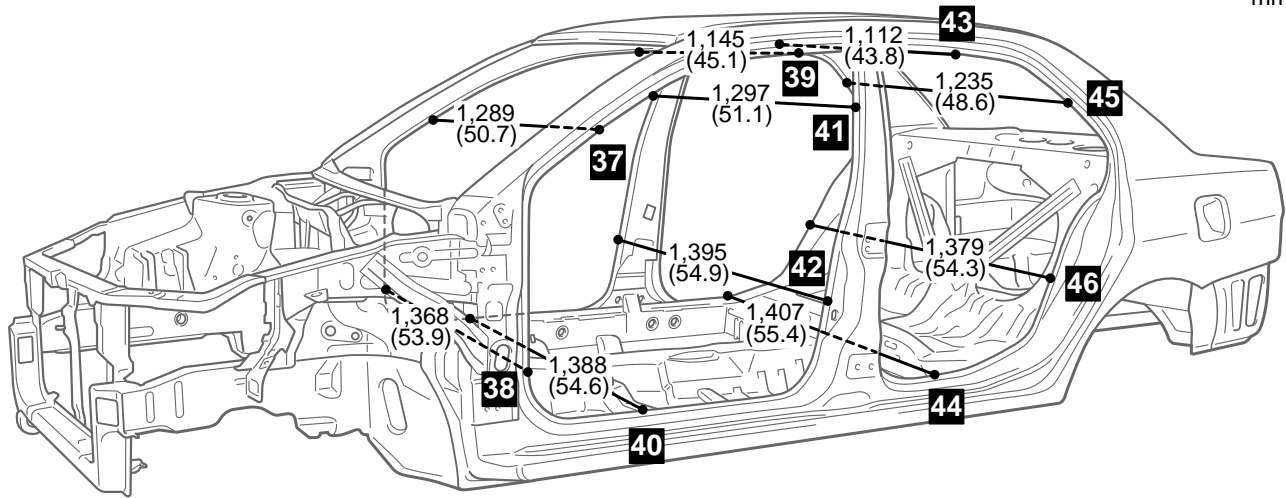
No.	STANDARD MEASUREMENT POINT	HOLE SHAPE—SIZE mm (in)
56	Center of rear combination lamp mounting hole	Round—10 (0.4)
57	Center of rear end trim mounting hole	Round—8.5 (0.3)
58	Center of rear end outer panel positioning hole	Round—16 (0.6)



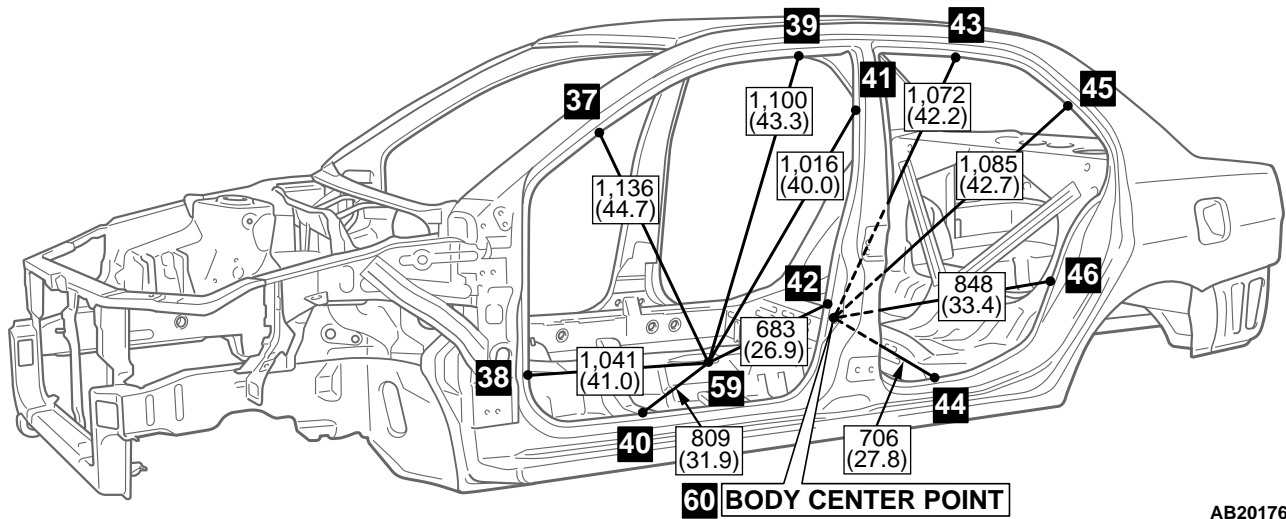
INTERIOR

M4020009000088

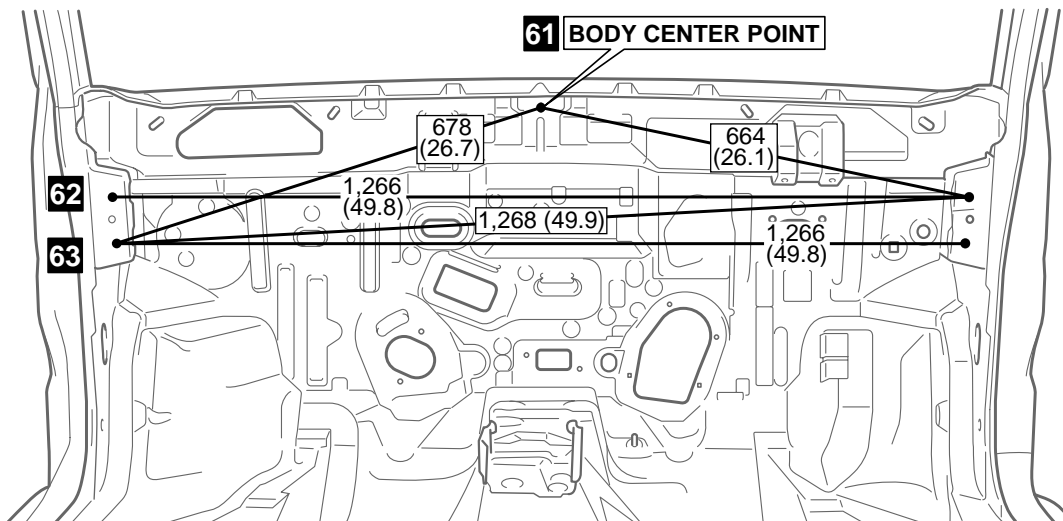
mm (in)



AB201763AB



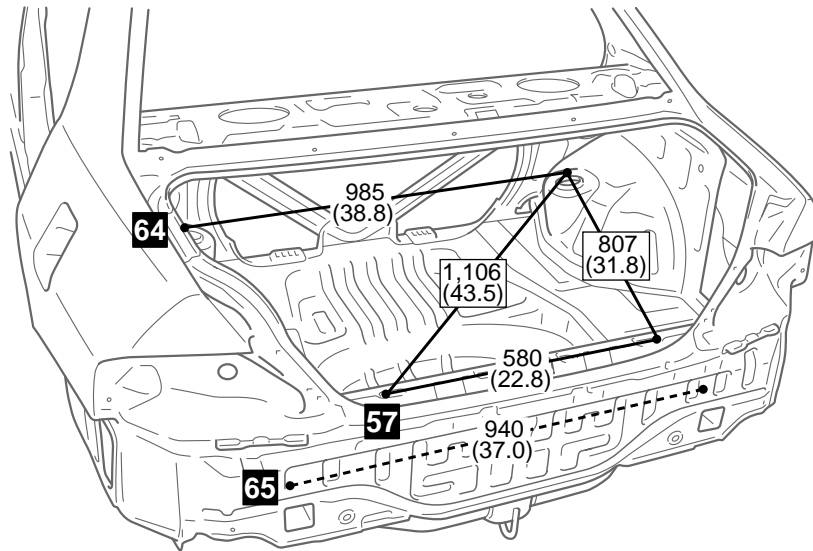
AB201764AB



AB201766AB

**BODY DIMENSIONS
TYPE B (ACTUAL-MEASUREMENT DIMENSIONS)**

mm (in)



AB201765AB

No.	STANDARD MEASUREMENT POINT	HOLE SHAPE— SIZE mm (in)
37	Front pillar positioning notch (upper)	—
38	Front pillar positioning notch (lower)	—
39	Side roof rail positioning notch (front)	—
40	Side sill positioning notch (front)	—
41	center pillar positioning notch (upper)	—
42	center pillar positioning notch (lower)	—
43	Side roof rail positioning notch (rear)	—
44	Side sill positioning notch (rear)	—
45	Quarter panel positioning notch (upper)	—
46	Quarter panel positioning notch (lower)	—

No.	STANDARD MEASUREMENT POINT	HOLE SHAPE— SIZE mm (in)
57	Center of rear end trim mounting hole	Round—8.5 (0.3)
59	Center of front seat rail mounting hole	Round—14 (0.6)
60	Center of floor carpet mounting hole (Body center point)	Round—6 (0.2)
61	Tip of instrument panel bracket center (Body center point)	—
62	Center of deck crossmember mounting hole (upper)	Round—11 (0.4)
63	Center of deck crossmember mounting hole (lower)	Round—11 (0.4)
64	Center of rear shock absorber mounting hole	Round—12 (0.5)
65	Center of rear bumper mounting hole	Round—16 (0.6)

