

GROUP 70

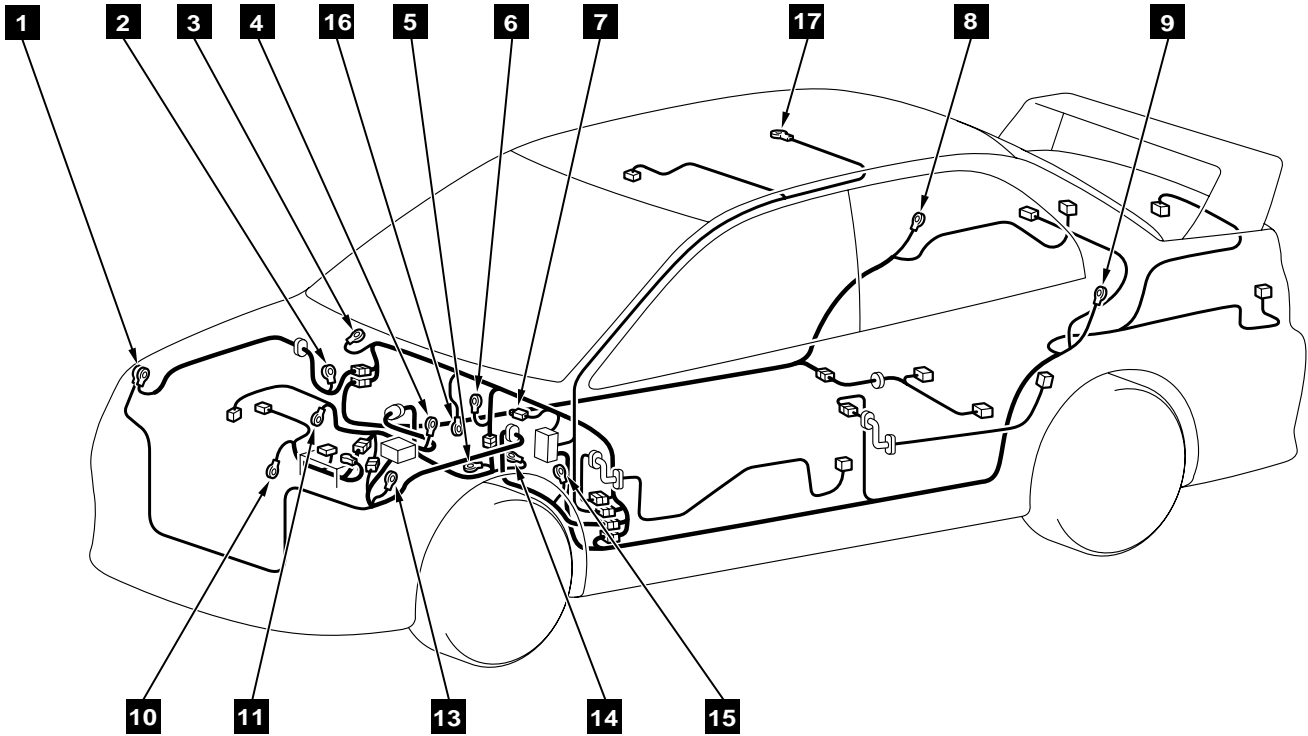
**COMPONENT
LOCATIONS**

CONTENTS

GROUNDING	70-2	INSPECTION TERMINAL.....	70-7
GROUNDING CABLE	70-4	SENSOR.....	70-8
FUSIBLE LINK,FUSE AND IOD OR STORAGE CONNECTOR.....	70-5	CONTROL UNIT.....	70-12
RELAY	70-6	OTHER DEVICES.....	70-15
		SOLENOID AND SOLENOID VALVE	70-16

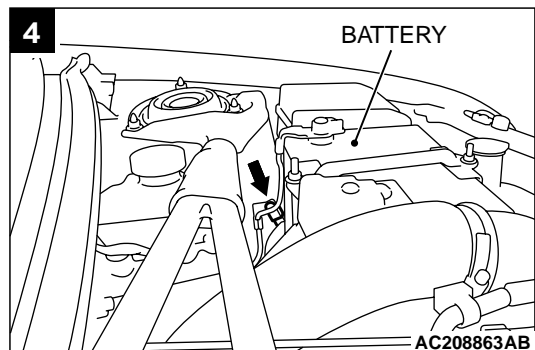
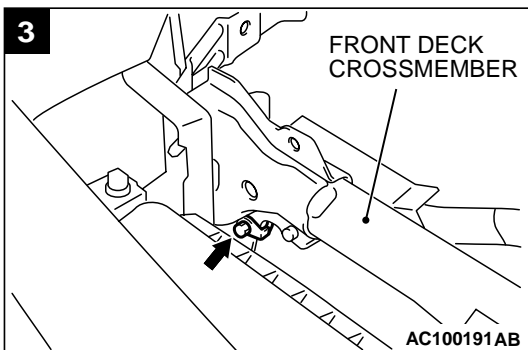
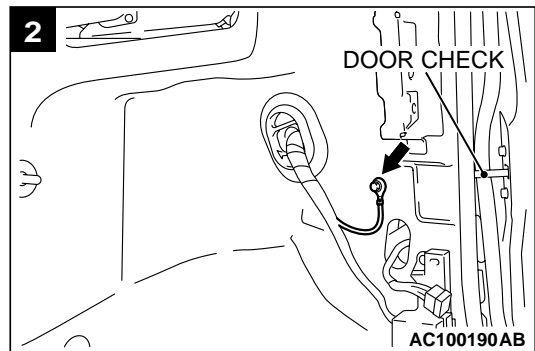
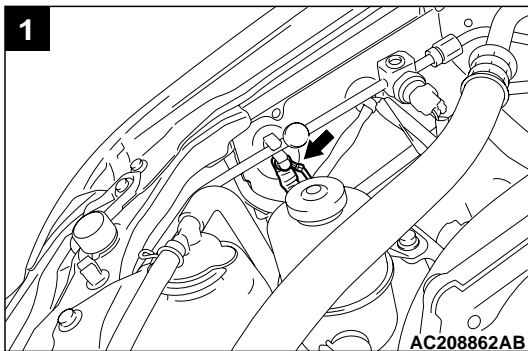
GROUNDING

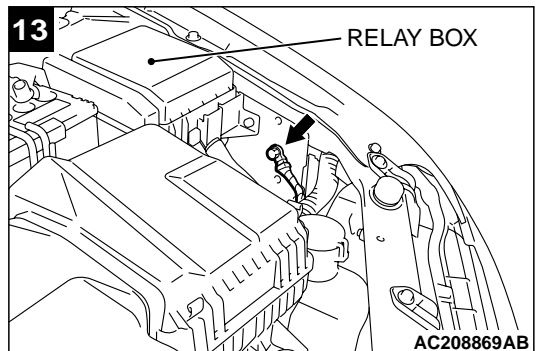
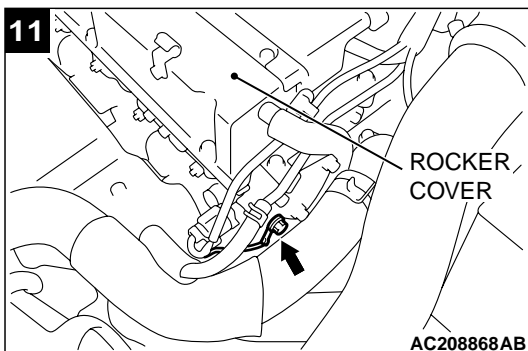
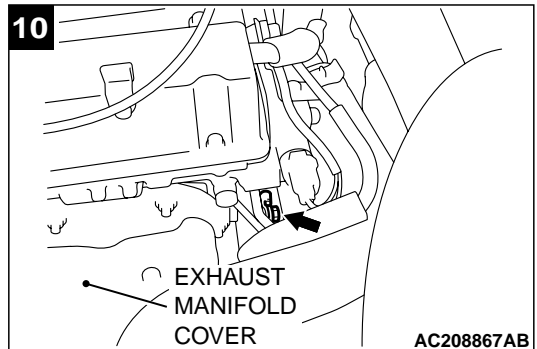
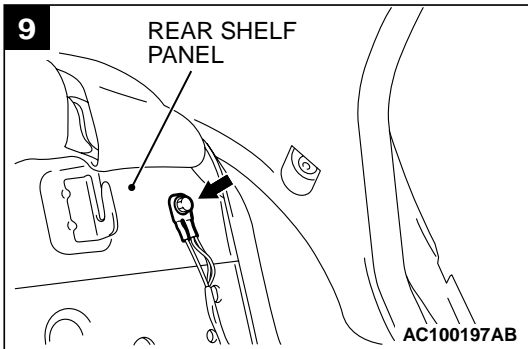
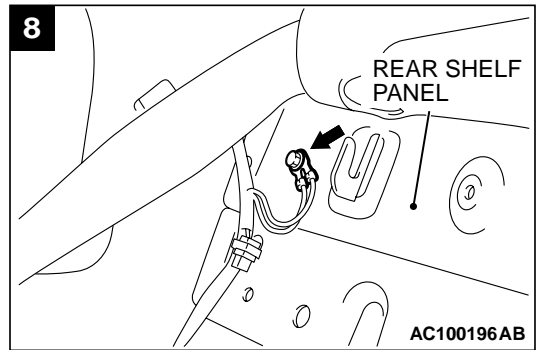
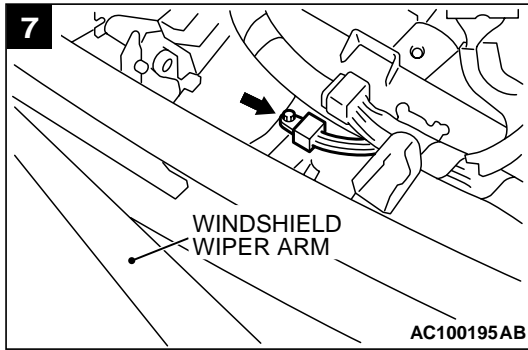
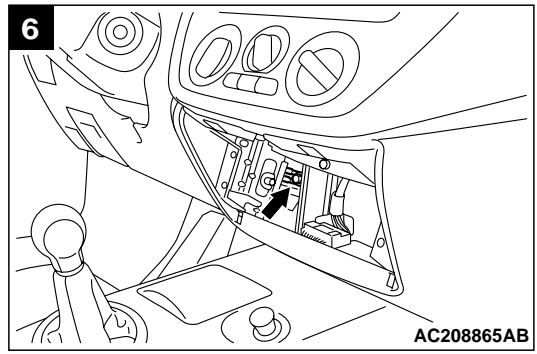
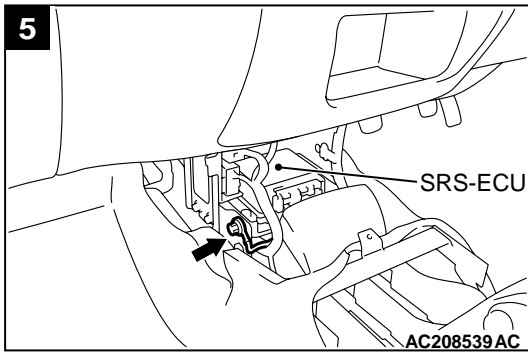
M1701000300328

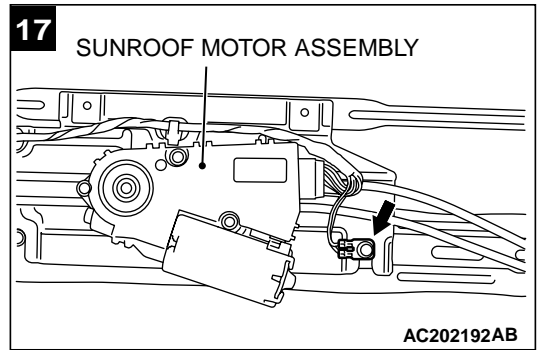
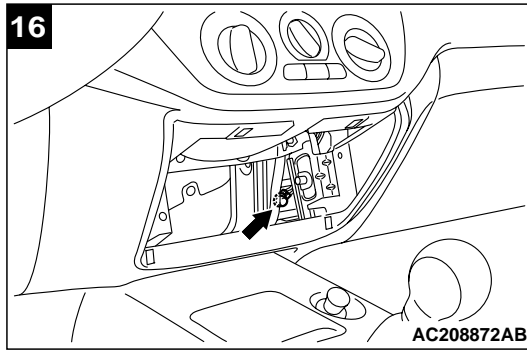
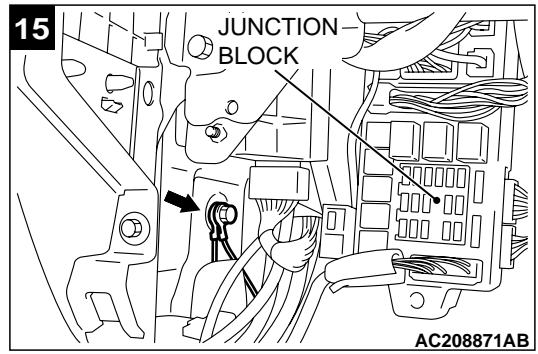
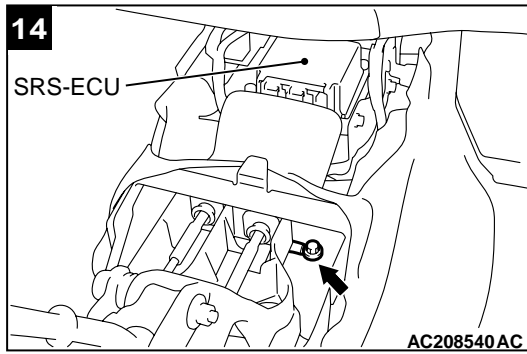


AC208856AB

NOTE: Numbers 1 to 17 correspond to the body ground point numbers in CIRCUIT DIAGRAMS.

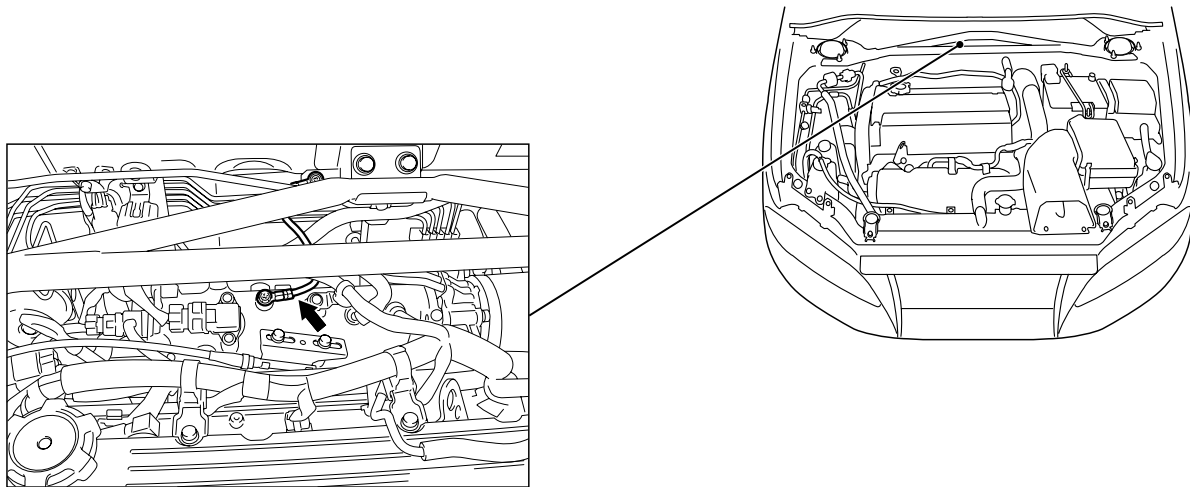






GROUNDING CABLE

M1701001000278

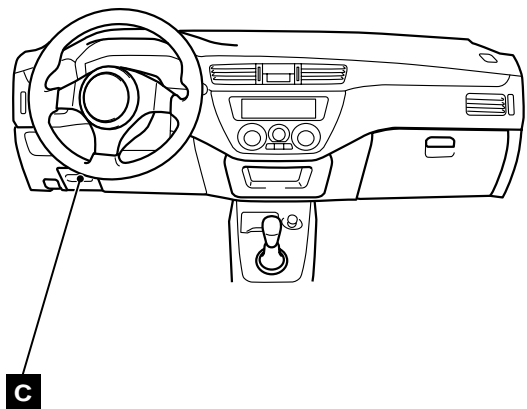
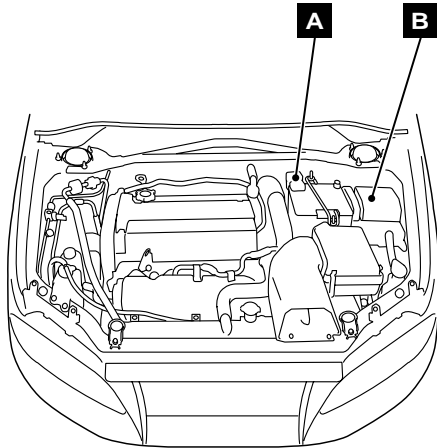


AC208930AB

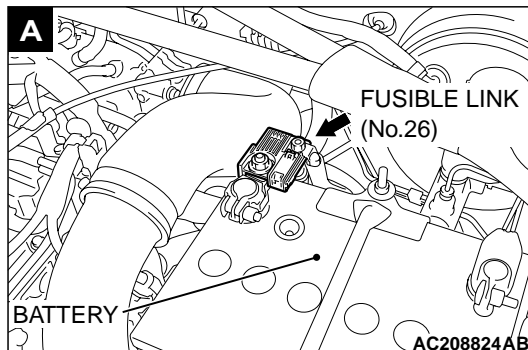
FUSIBLE LINK, FUSE AND IOD OR STORAGE CONNECTOR

M1701000100335

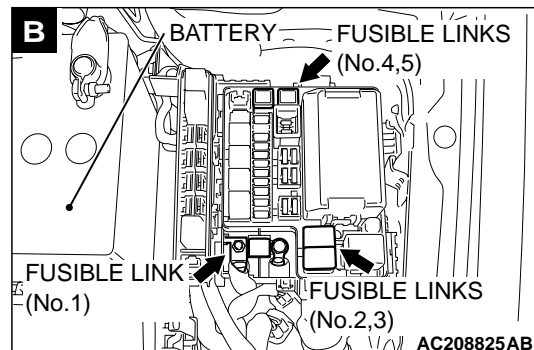
NAME	SYMBOL	NAME	SYMBOL
Fuses No.6 to 25 (Engine compartment)	B	Fusible link No.26 (Battery positive terminal)	A
Fuses No.1 to 23 (Passenger compartment)	C	IOD or storage connector	B
Fusible links No.1 to 5 (Engine compartment)	B		



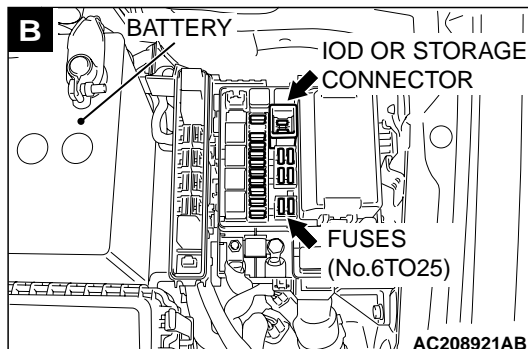
AC208823AB



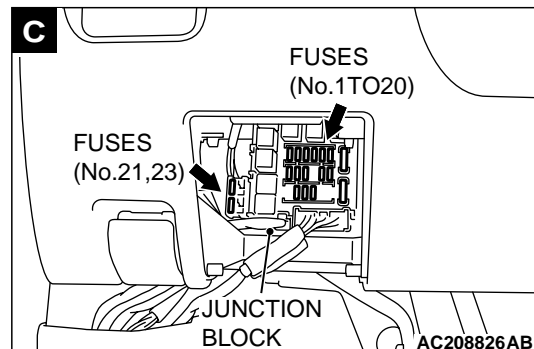
AC208824AB



AC208825AB



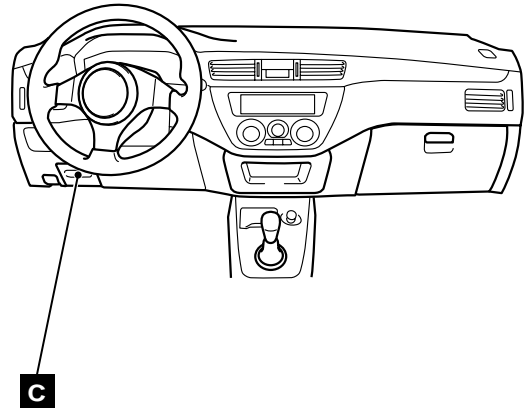
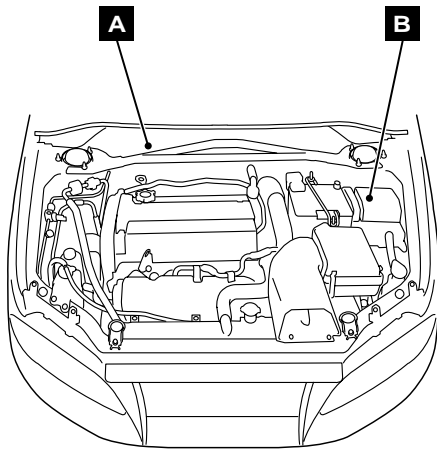
AC208921AB



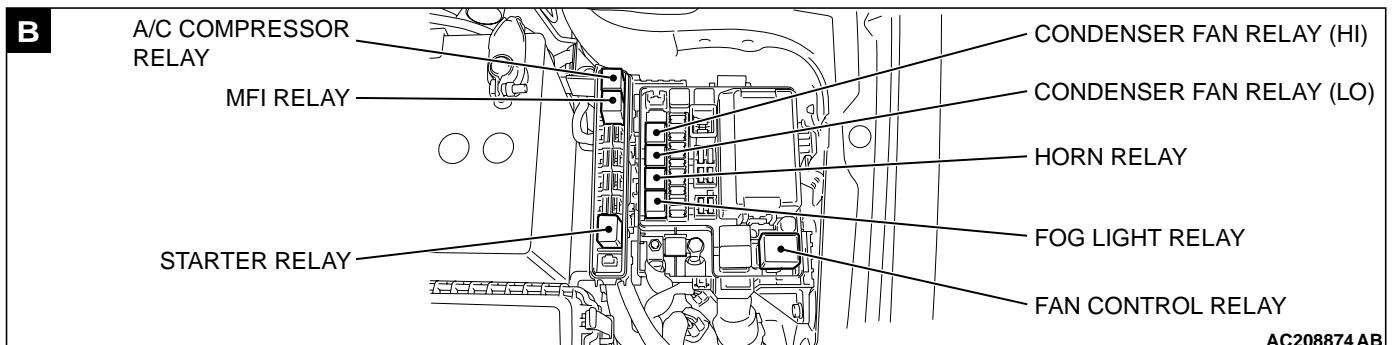
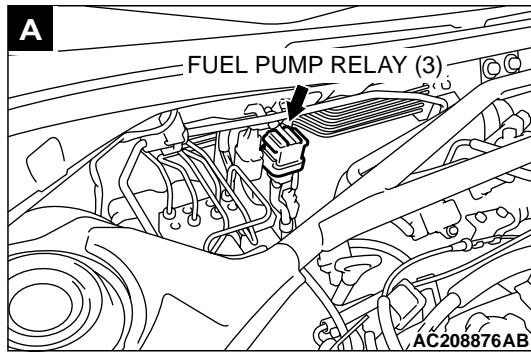
AC208826AB

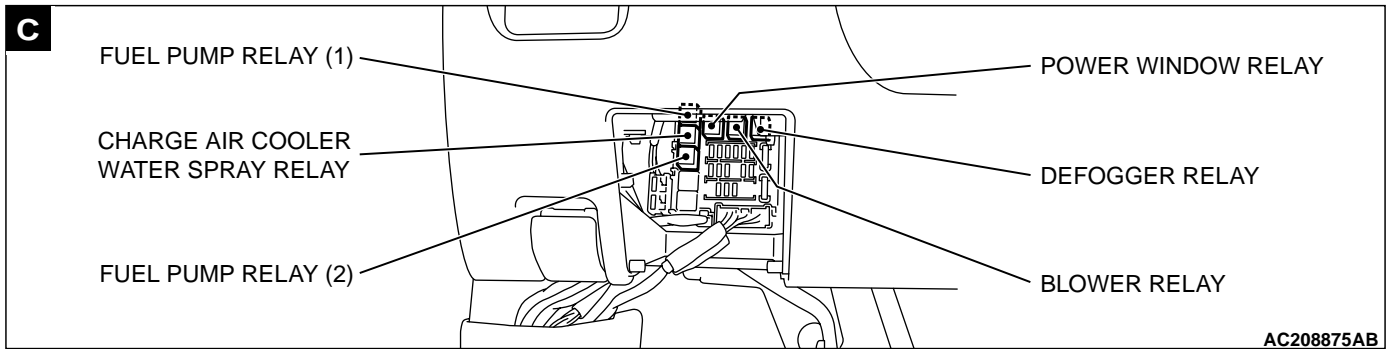
RELAY

NAME	SYMBOL	NAME	SYMBOL
A/C compressor relay	B	Fuel pump relay (2)	C
Blower relay	C	Fuel pump relay (3)	A
Condenser fan relay (HI)	B	Horn relay	B
Condenser fan relay (LO)	B	Charge air cooler water spray relay	C
Defogger relay	C	MFI relay	B
Fan control relay	B	Power window relay	C
Fog light relay	B	Starter relay	B
Fuel pump relay (1)	C		



AC208823AD

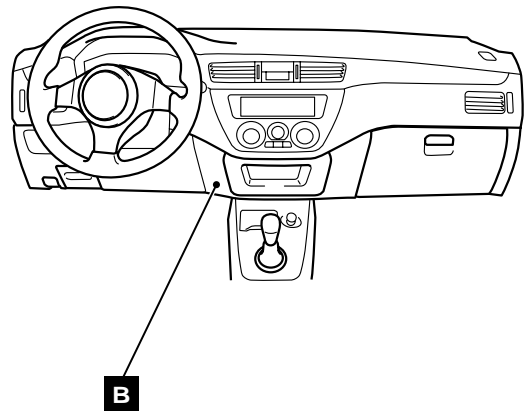
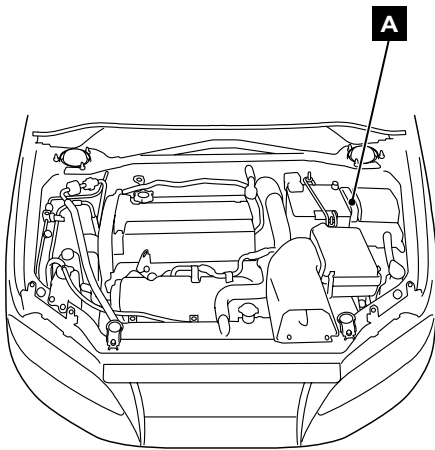




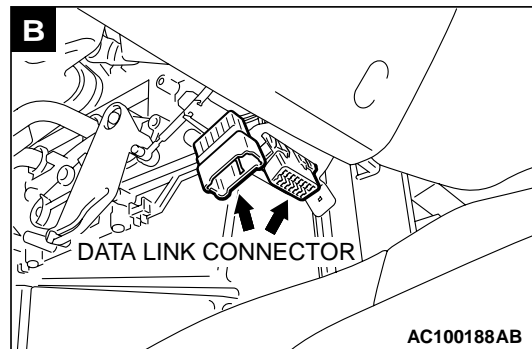
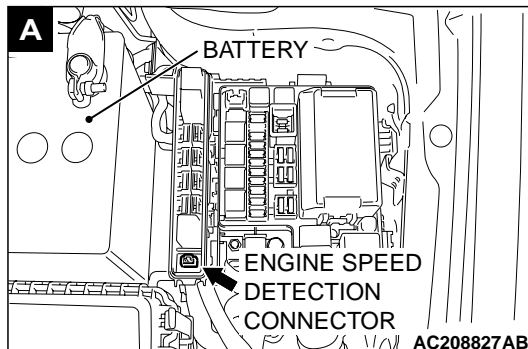
INSPECTION TERMINAL

M1701000200310

NAME	SYMBOL	NAME	SYMBOL
Data link connector	B	Engine speed detection connector	A

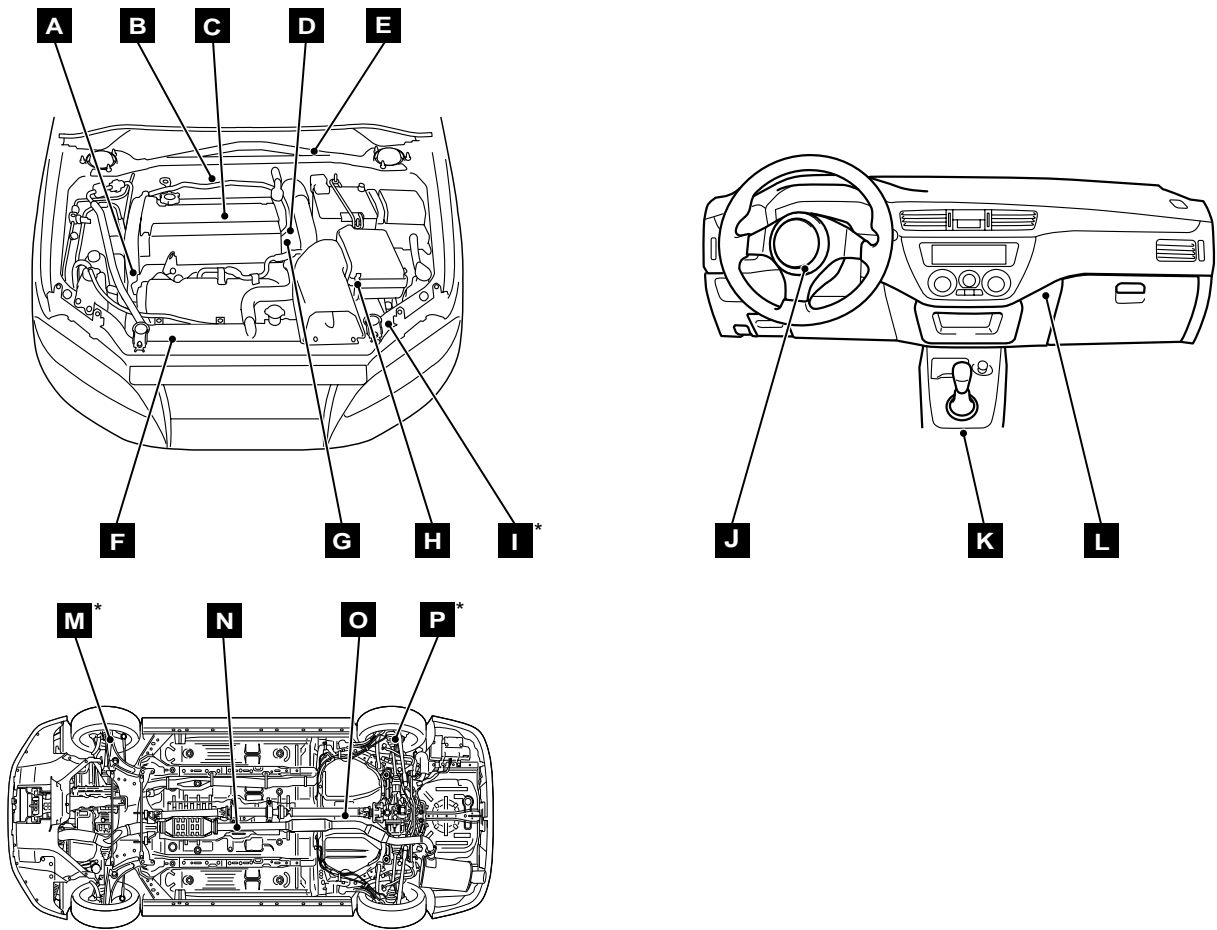


AC208823AC

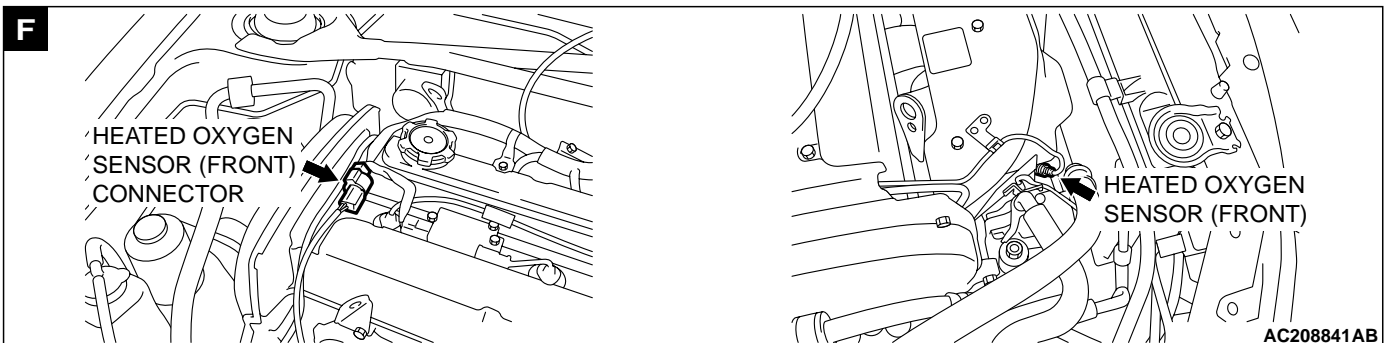
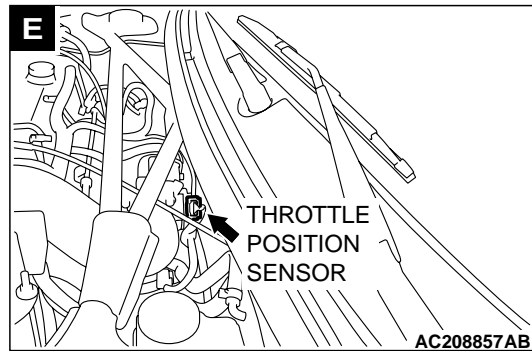
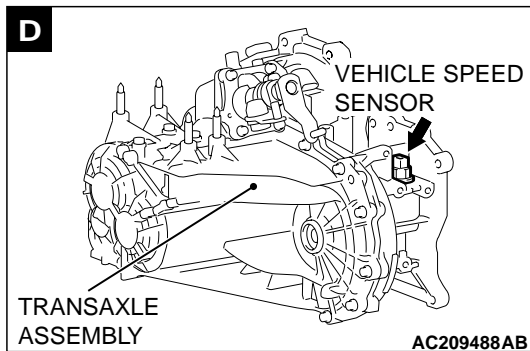
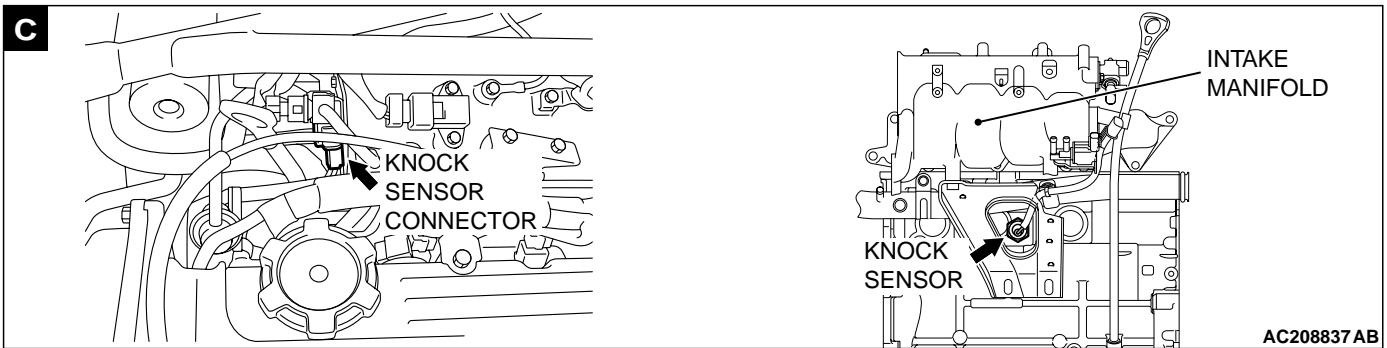
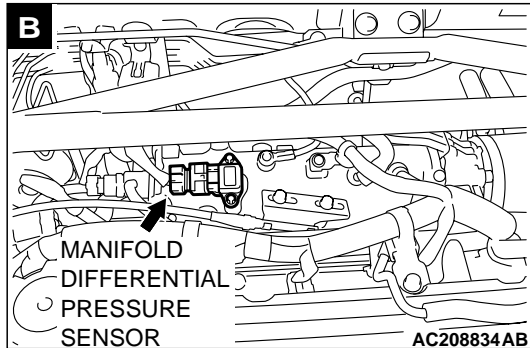
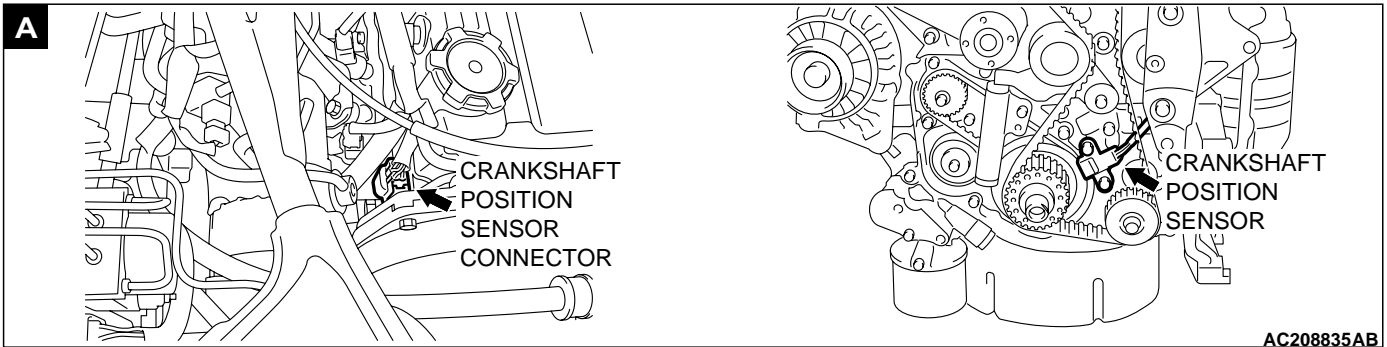


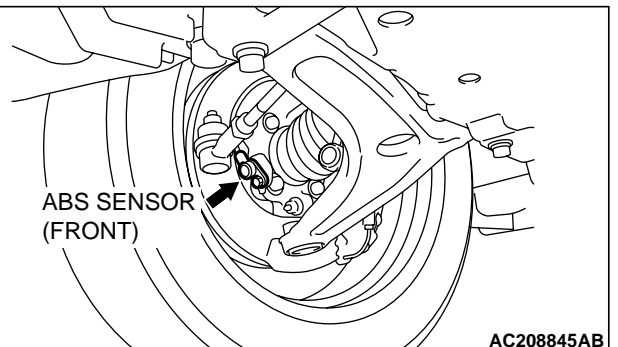
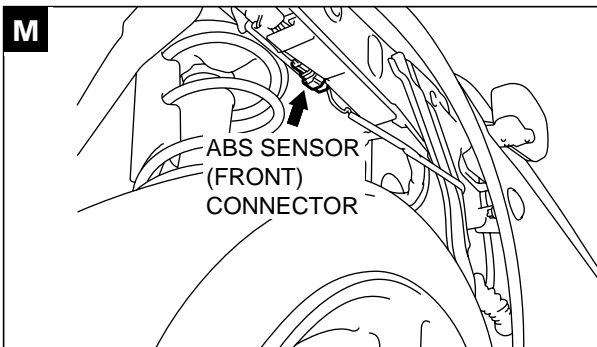
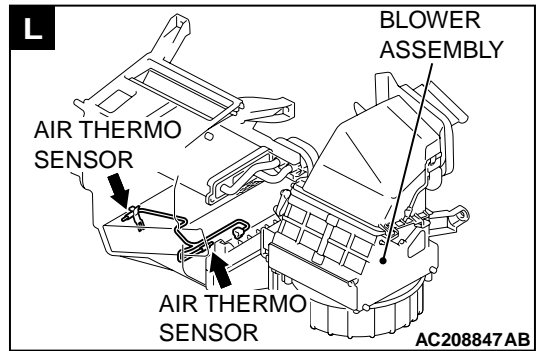
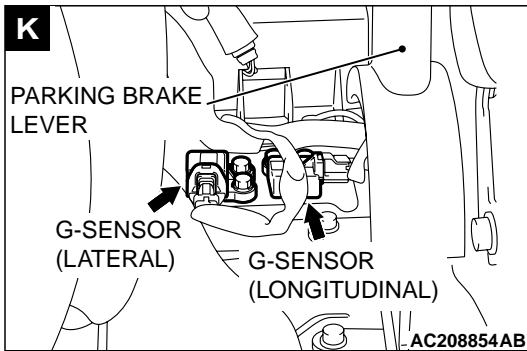
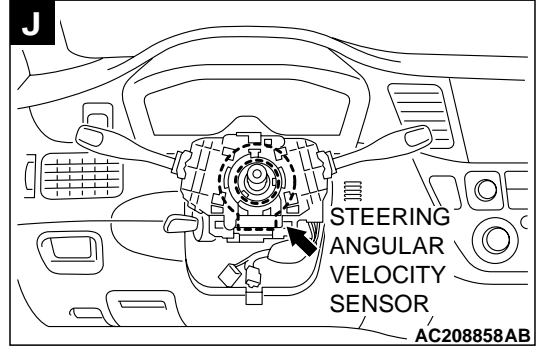
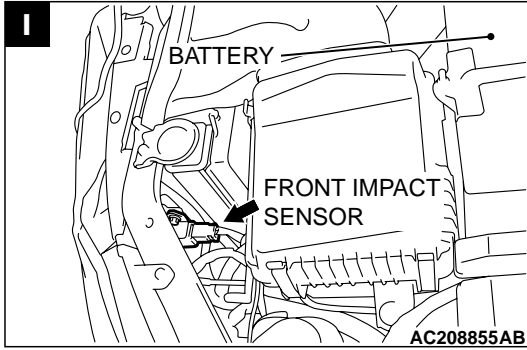
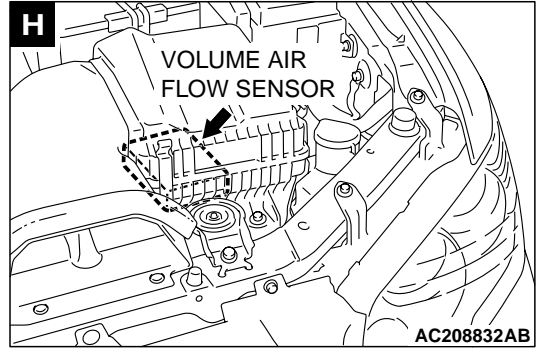
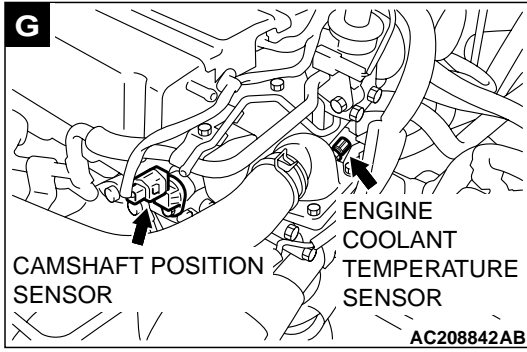
SENSOR

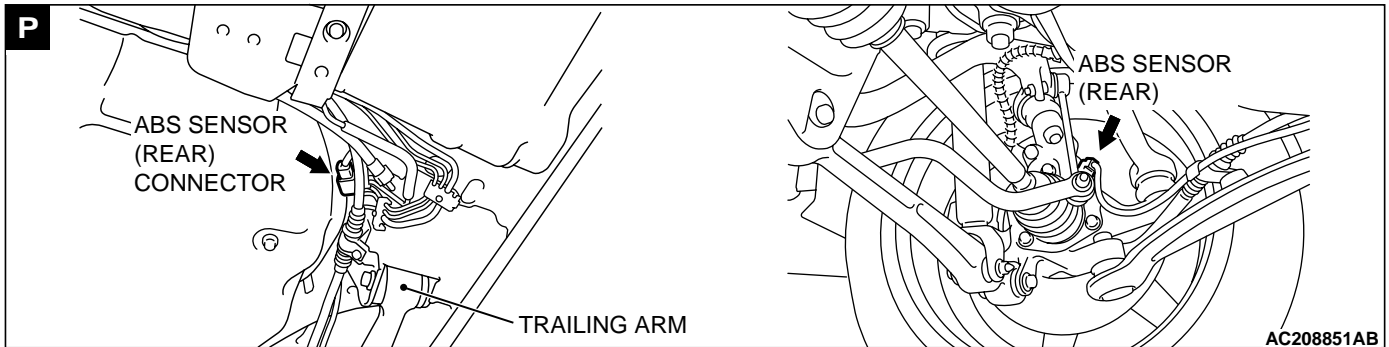
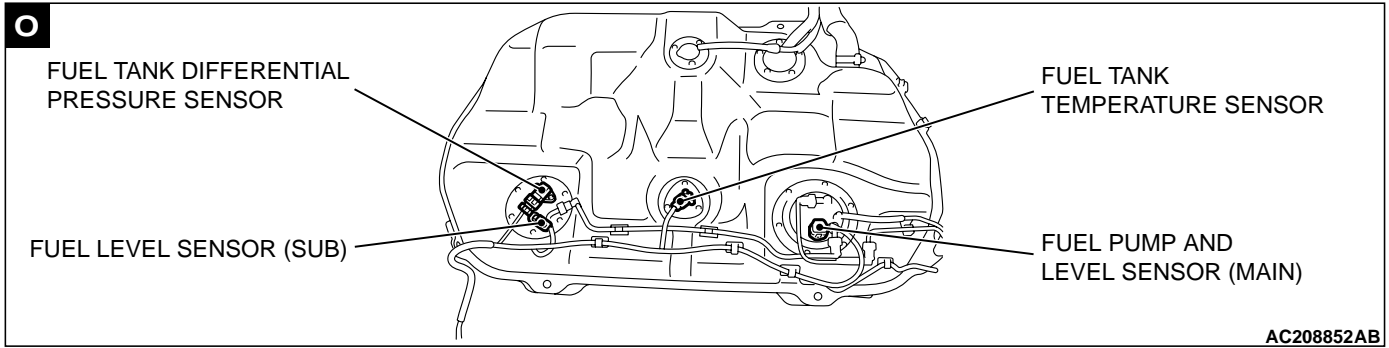
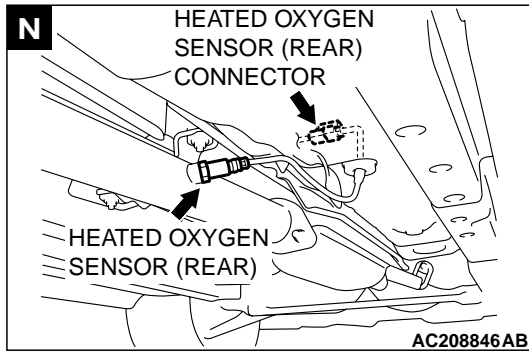
NAME	SYMBOL	NAME	SYMBOL
Air thermo sensor	L	Heated oxygen sensor (front)	F
Camshaft position sensor	G	Heated oxygen sensor (rear)	N
Crankshaft position sensor	A	Knock sensor	C
Engine coolant temperature sensor	G	Manifold differential pressure sensor	B
Front impact sensor	I	Steering angular velocity sensor	J
Fuel level sensor (sub)	O	Throttle position sensor	E
Fuel pump and level sensor (main)	O	Vehicle speed sensor	D
Fuel tank differential pressure sensor	O	Volume airflow sensor	H
Fuel tank temperature sensor	O	ABS sensor (front)	M
G-sensor (lateral)	K	ABS sensor (rear)	P
G-sensor (longitudinal)	K		



NOTE: The * symbols indicate also equipped at the right side.



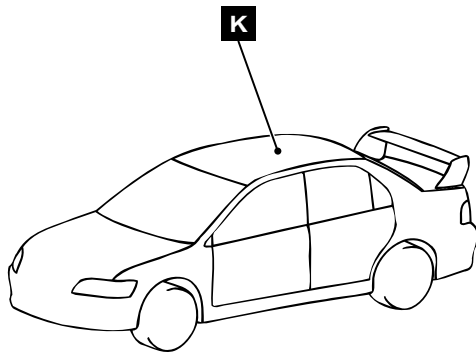
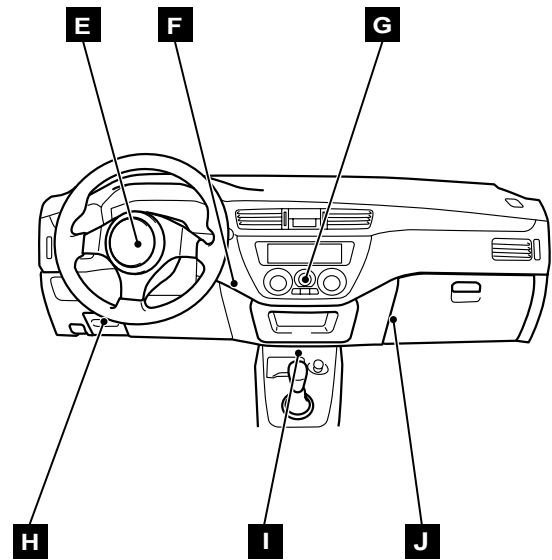
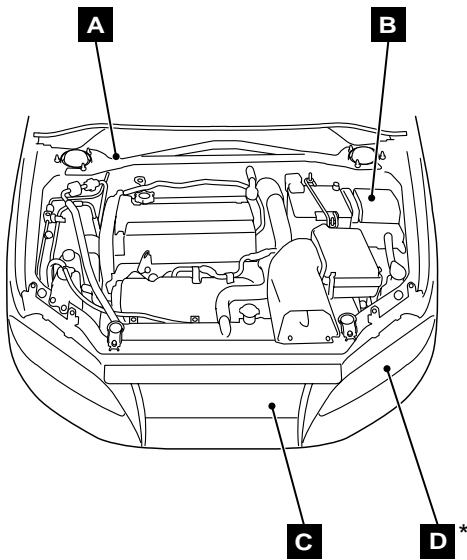




CONTROL UNIT

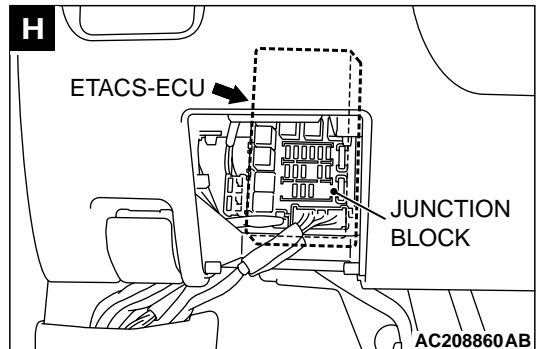
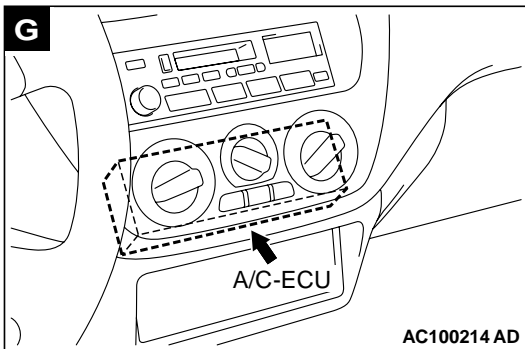
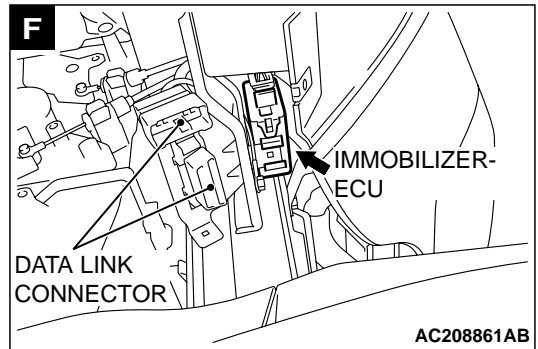
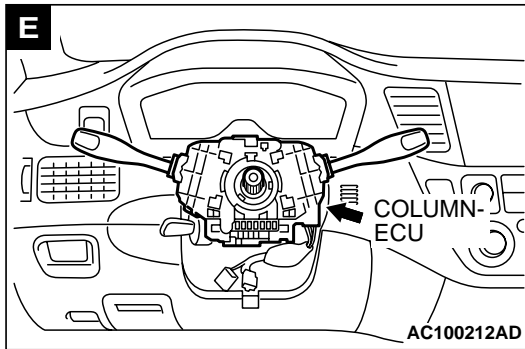
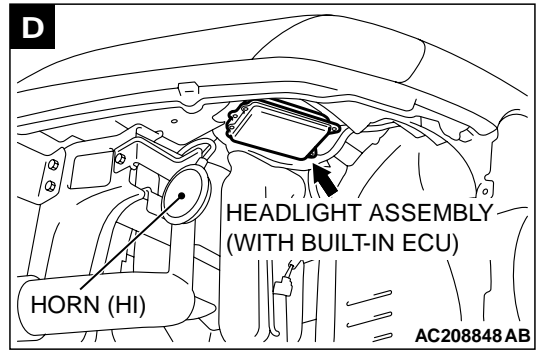
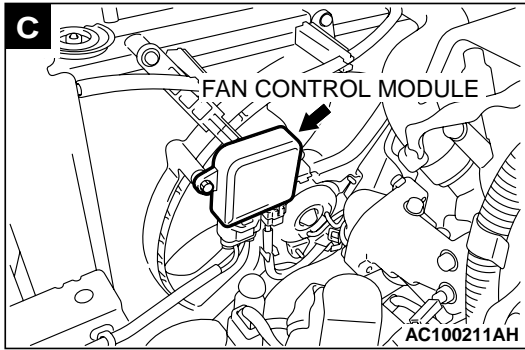
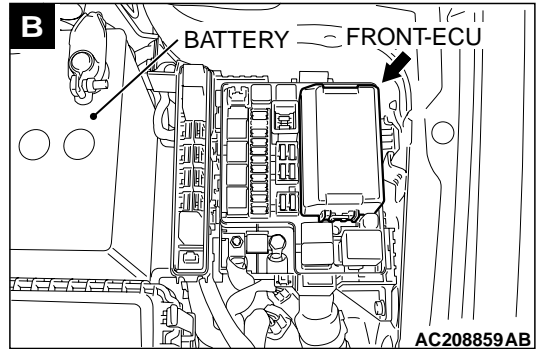
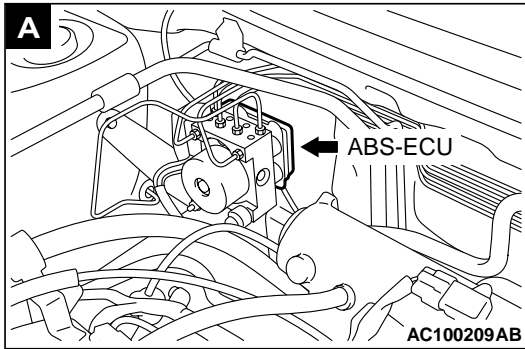
M1701000700315

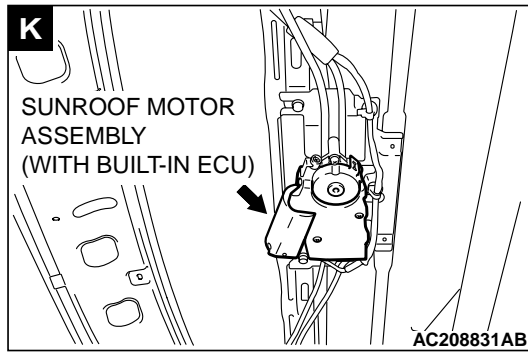
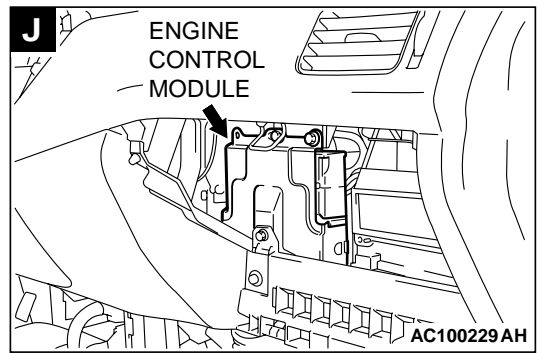
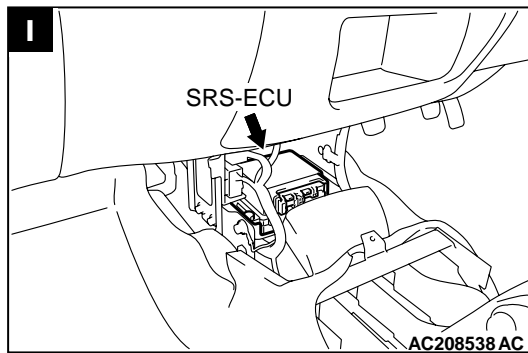
NAME	SYMBOL	NAME	SYMBOL
ABS-ECU	A	Front-ECU	B
A/C-ECU	G	HEADLIGHT ASSEMBLY (with built-in ECU)	D
Column-ECU	E	Immobilizer-ECU	F
Engine control module	J	SUNROOF MOTOR ASSEMBLY (with built-in ECU)	K
ETACS-ECU	H	SRS-ECU	I
Fan control module	C		



AC208870 AB

NOTE: The * symbols indicate also equipped at the right side.

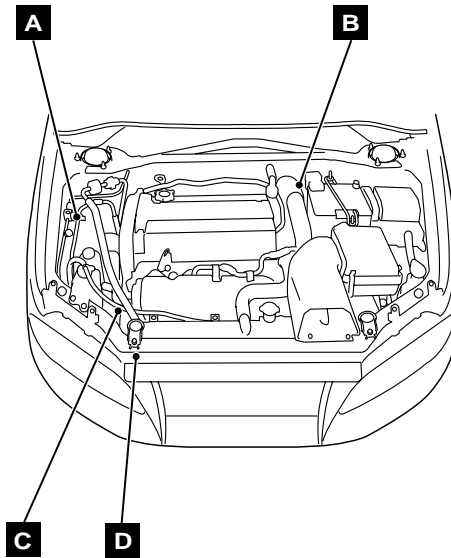




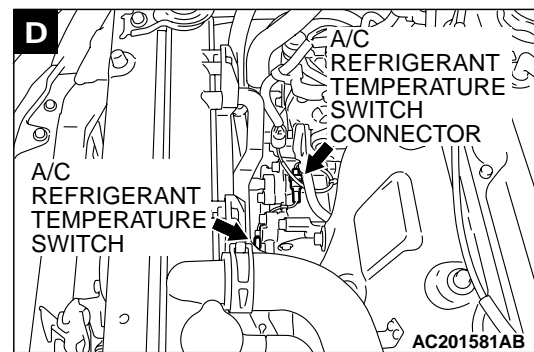
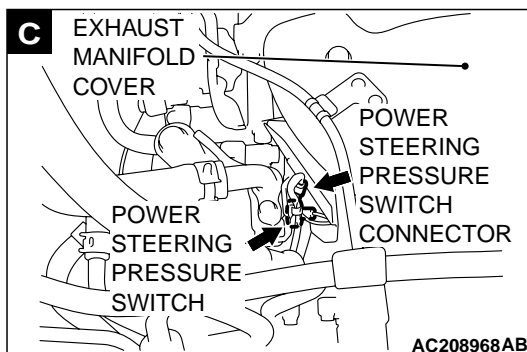
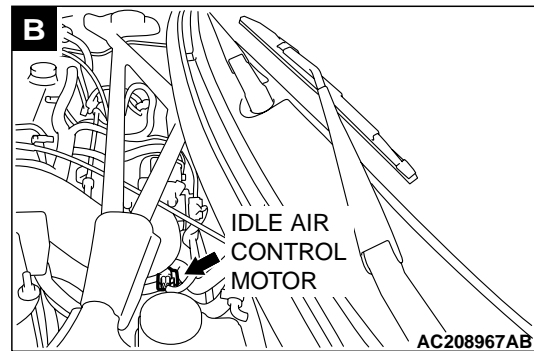
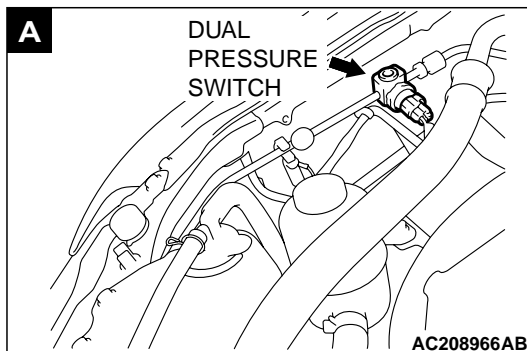
OTHER DEVICES

M1701005600272

NAME	SYMBOL	NAME	SYMBOL
A/C compressor (built-in A/C refrigerant temperature switch)	D	Idle air control motor	B
Dual pressure switch	A	Power steering pressure switch	C



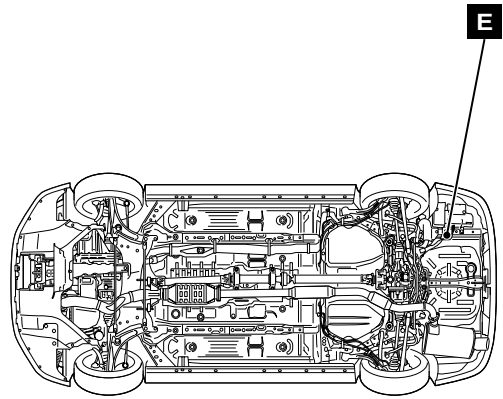
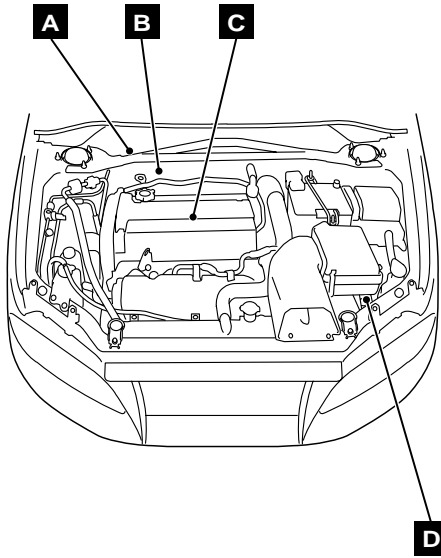
AC208821AB



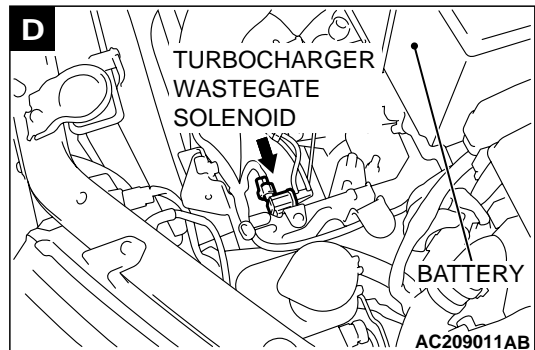
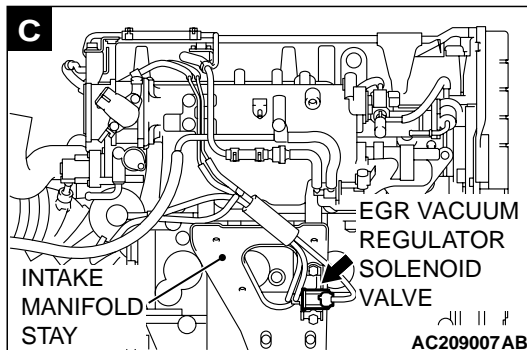
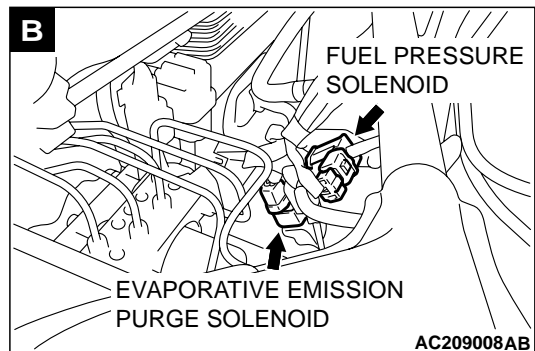
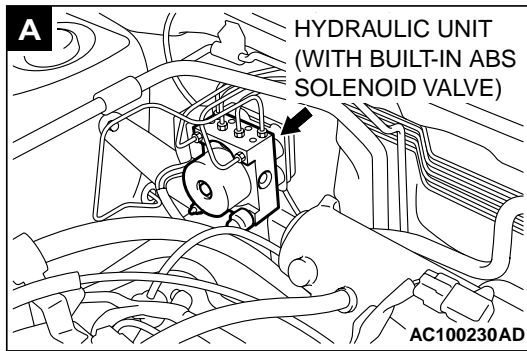
SOLENOID AND SOLENOID VALVE

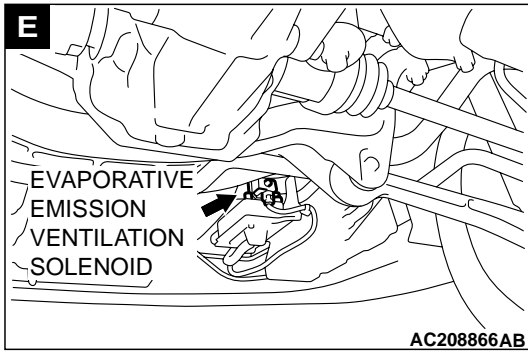
M1701000800301

NAME	SYMBOL	NAME	SYMBOL
EGR vacuum regulator solenoid valve	C	Fuel pressure solenoid	B
Evaporative emission purge solenoid	B	Hydraulic unit (with built-in ABS solenoid valve)	A
Evaporative emission ventilation solenoid	E	Turbocharger wastegate solenoid	D



AC208830 AB





NOTES