

# GROUP 52A

# INTERIOR

## CONTENTS

<b>GENERAL DESCRIPTION</b> . . . . .	<b>52A-2</b>	<b>REMOVAL AND INSTALLATION</b> . . . . .	<b>52A-13</b>
<b>SEAT BELT WARNING SYSTEM DIAGNOSIS</b> . . . . .	<b>52A-2</b>	<b>HEADLINING</b> . . . . .	<b>52A-18</b>
<b>SPECIAL TOOL</b> . . . . .	<b>52A-2</b>	<b>REMOVAL AND INSTALLATION</b> . . . . .	<b>52A-18</b>
<b>INSTRUMENT PANEL ASSEMBLY*</b> . . . . .	<b>52A-3</b>	<b>INSIDE REAR VIEW MIRROR</b> . . . . .	<b>52A-19</b>
<b>REMOVAL AND INSTALLATION</b> . . . . .	<b>52A-3</b>	<b>FRONT SEAT ASSEMBLY</b> . . . . .	<b>52A-20</b>
<b>DISASSEMBLY AND ASSEMBLY</b> . . . . .	<b>52A-6</b>	<b>REMOVAL AND INSTALLATION</b> . . . . .	<b>52A-20</b>
<b>FRONT FLOOR CONSOLE ASSEMBLY</b> . . . . .	<b>52A-7</b>	<b>DISASSEMBLY AND ASSEMBLY</b> . . . . .	<b>52A-21</b>
<b>REMOVAL AND INSTALLATION</b> . . . . .	<b>52A-7</b>	<b>REAR SEAT ASSEMBLY</b> . . . . .	<b>52A-22</b>
<b>REAR FLOOR CONSOLE ASSEMBLY</b> .....	<b>52A-8</b>	<b>REMOVAL AND INSTALLATION</b> . . . . .	<b>52A-22</b>
<b>REMOVAL AND INSTALLATION</b> . . . . .	<b>52A-8</b>	<b>DISASSEMBLY AND ASSEMBLY</b> . . . . .	<b>52A-23</b>
<b>DISASSEMBLY AND ASSEMBLY</b> . . . . .	<b>52A-9</b>	<b>FRONT SEAT BELT*</b> . . . . .	<b>52A-24</b>
<b>TRIMS</b> . . . . .	<b>52A-11</b>	<b>REMOVAL AND INSTALLATION</b> . . . . .	<b>52A-24</b>
<b>REMOVAL AND INSTALLATION</b> . . . . .	<b>52A-11</b>	<b>INSPECTION</b> . . . . .	<b>52A-25</b>
<b>DOOR TRIM</b> . . . . .	<b>52A-13</b>	<b>REAR SEAT BELT</b> . . . . .	<b>52A-25</b>
		<b>REMOVAL AND INSTALLATION</b> . . . . .	<b>52A-25</b>
		<b>SPECIFICATIONS</b> . . . . .	<b>52A-26</b>
		<b>FASTENER TIGHTENING SPECIFICATION</b> .....	<b>52A-26</b>

### WARNINGS REGARDING SERVICING OF SUPPLEMENTAL RESTRAINT SYSTEM (SRS) EQUIPPED VEHICLES

#### **WARNING**

- *Improper service or maintenance of any component of the SRS, or any SRS-related component, can lead to personal injury or death to service personnel (from inadvertent firing of the air bag) or to the driver and passenger (from rendering the SRS inoperative).*
- *Service or maintenance of any SRS component or SRS-related component must be performed only at an authorized MITSUBISHI dealer.*
- *MITSUBISHI dealer personnel must thoroughly review this manual, and especially its GROUP 52B - Supplemental Restraint System (SRS) before beginning any service or maintenance of any component of the SRS or any SRS-related component.*

#### NOTE

The SRS includes the following components: SRS air bag control unit, SRS warning light, front impact sensors, air bag module, clock spring, and interconnecting wiring. Other SRS-related components (that may have to be removed/installed in connection with SRS service or maintenance) are indicated in the table of contents by an asterisk (\*).

**GENERAL DESCRIPTION**

M1521000100151

**SEAT BELT WARNING SYSTEM**

- When the ignition switch is turned "ON" without fastening the seat belts (seat belt switch OFF), the tone alarm will sound for approximately 6 seconds to warn the driver to fasten the seat belts. When the seat belts are fastened, the tone alarm will stop sounding.
- When the ignition switch is turned ON without fastening the seat belt, the seat belt warning light comes on to warn the driver to fasten the seat belt.

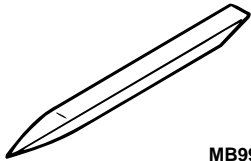
**SEAT BELT WARNING SYSTEM DIAGNOSIS**

M1523000700126

The seat belt warning system is controlled by Simplified Warning System (SWS). For troubleshooting, refer to GROUP 54B, SWS Diagnosis [P.54B-6](#).

**SPECIAL TOOL**

M1521000600242





TOOL	TOOL NUMBER AND NAME	SUPERSESSION	APPLICATION
 MB990784	MB990784 Ornament remover	General service tool	Removal of switch, trim, etc.

## INSTRUMENT PANEL ASSEMBLY

### REMOVAL AND INSTALLATION

M1521001700327

The following bolts and screws are used for installing the instrument panel. Bolts and screws are indicated as marks shown in the illustration in the sections of "Removal and Installation" and "Disassembly and Assembly."

NAME	SYMBOL	SIZE (D × L) mm	COLOR	SHAPE
Tapping screw	a	5 × 16	Black	 ACX01282
	b	5 × 16	-	
	c	5 × 12	-	 ACX01283
Bolt with washer	d	6 × 12	-	 ACX02229
	e	5 × 20	-	 AC005505

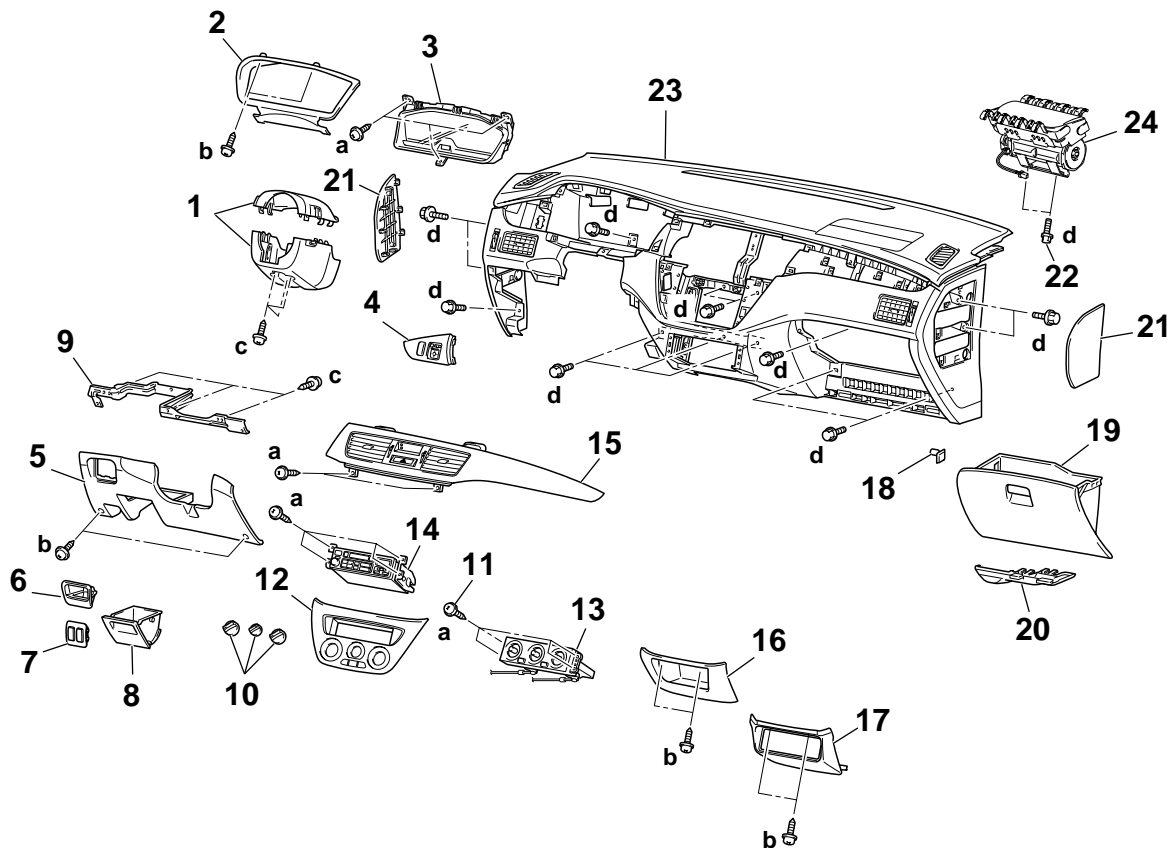
D: Thread diameter L: Effective thread length

**CAUTION**

- Refer to GROUP 52B, SRS Service Precautions P.52B-18 and Air bag Module and Clock Spring P.52B-184 before removing the passenger side air bag module.
- Do not subject the SRS-ECU to any shocks when removing or installing the instrument panel.

**Pre-removal and Post-installation Operation**

- Removal and Installation of Front Pillar Trim (Refer to P.52A-11.)
- Hood Opener Lever (Refer to GROUP42, Hood P.42-7.)



AC211623AB

**REMOVAL STEPS**

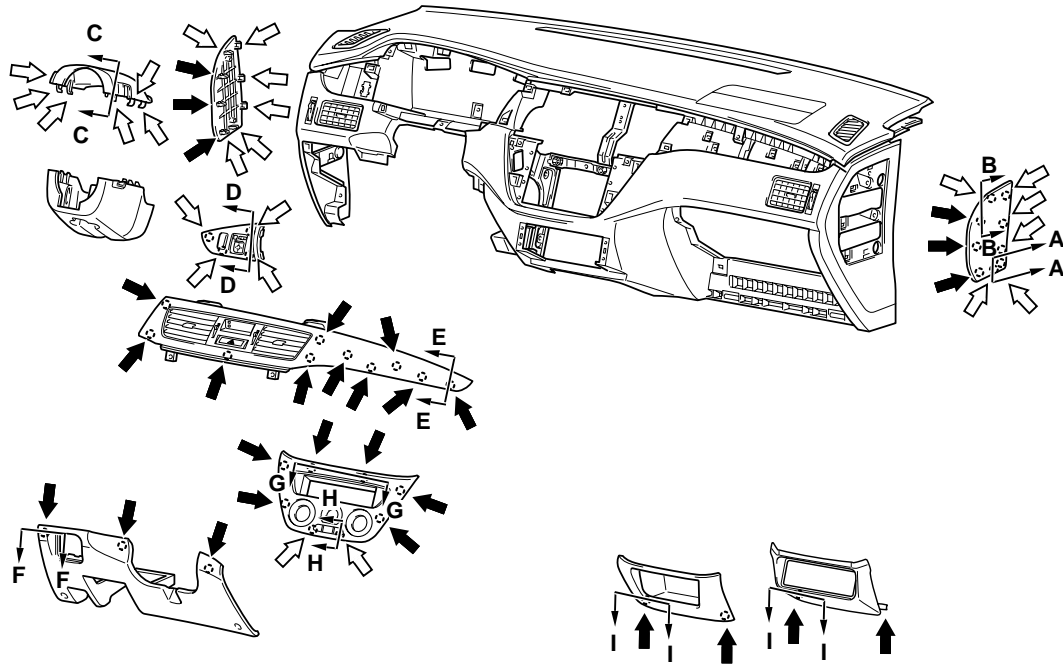
1. COLUMN COVER
2. METER BEZEL
3. COMBINATION METER
4. INSTRUMENT PANEL ORNAMENT
5. UNDER COVER
6. BOX <VEHICLE WITH BOX>
7. SWITCH PANEL <VEHICLE WITH SWITCH PANEL>
8. SIDE BOX
9. LOWER FRAME
10. HEATER CONTROL KNOB
11. HEATER CONTROL ASSEMBLY MOUNTING SCREW
12. CENTER PANEL
13. HEATER CONTROL ASSEMBLY
14. RADIO AND TAPE PLAYER

**REMOVAL STEPS (Continued)**

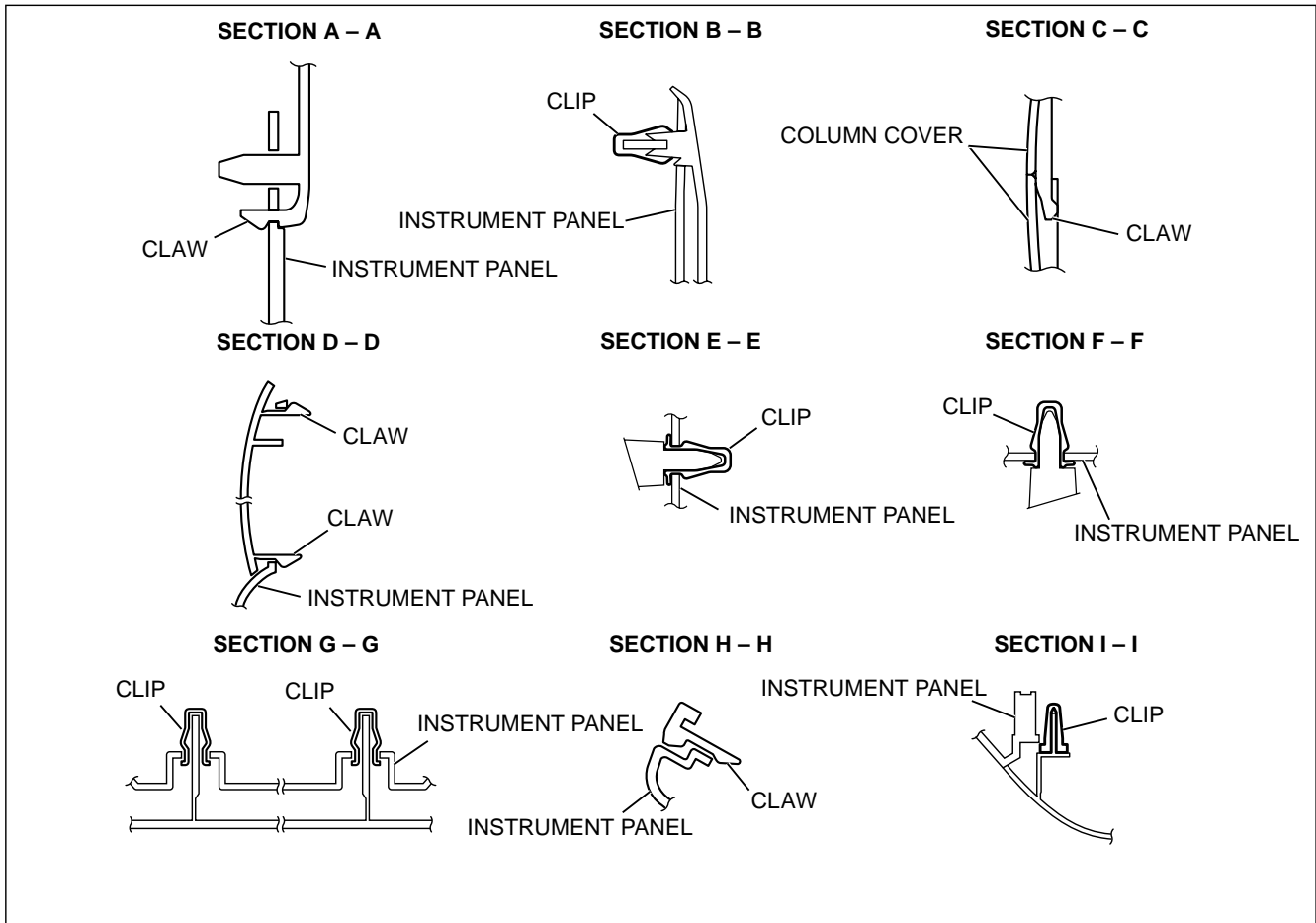
15. CENTER AIR OUTLET PANEL
16. CENTER LOWER CASE
17. CENTER LOWER PANEL (VEHICLE WITH CD AUTOMATIC CHANGER)
18. STOPPER
19. GLOVE BOX
20. HARNESS COVER
21. INSTRUMENT PANEL SIDE COVER
22. SRS FRONT PASSENGER'S AIR BAG MODULE MOUNTING BOLT
  - STEERING COLUMN SHAFT MOUNTING BOLT (REFER TO GROUP 37A, STEERING WHEEL AND SHAFT P.37-25.)
23. INSTRUMENT PANEL ASSEMBLY
24. SRS FRONT PASSENGER'S AIR BAG MODULE

&lt;&lt;A&gt;&gt;

CLIP AND CLAW POSITION



NOTE  
 (1) : CLIP POSITIONS  
 (2) : CLAW POSITIONS



AC005173AC

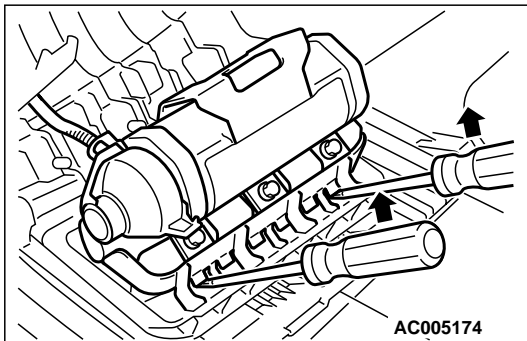
REMOVAL SERVICE POINT

<<A>> SRS FRONT PASSENGER'S AIR BAG MODULE  
REMOVAL

**CAUTION**

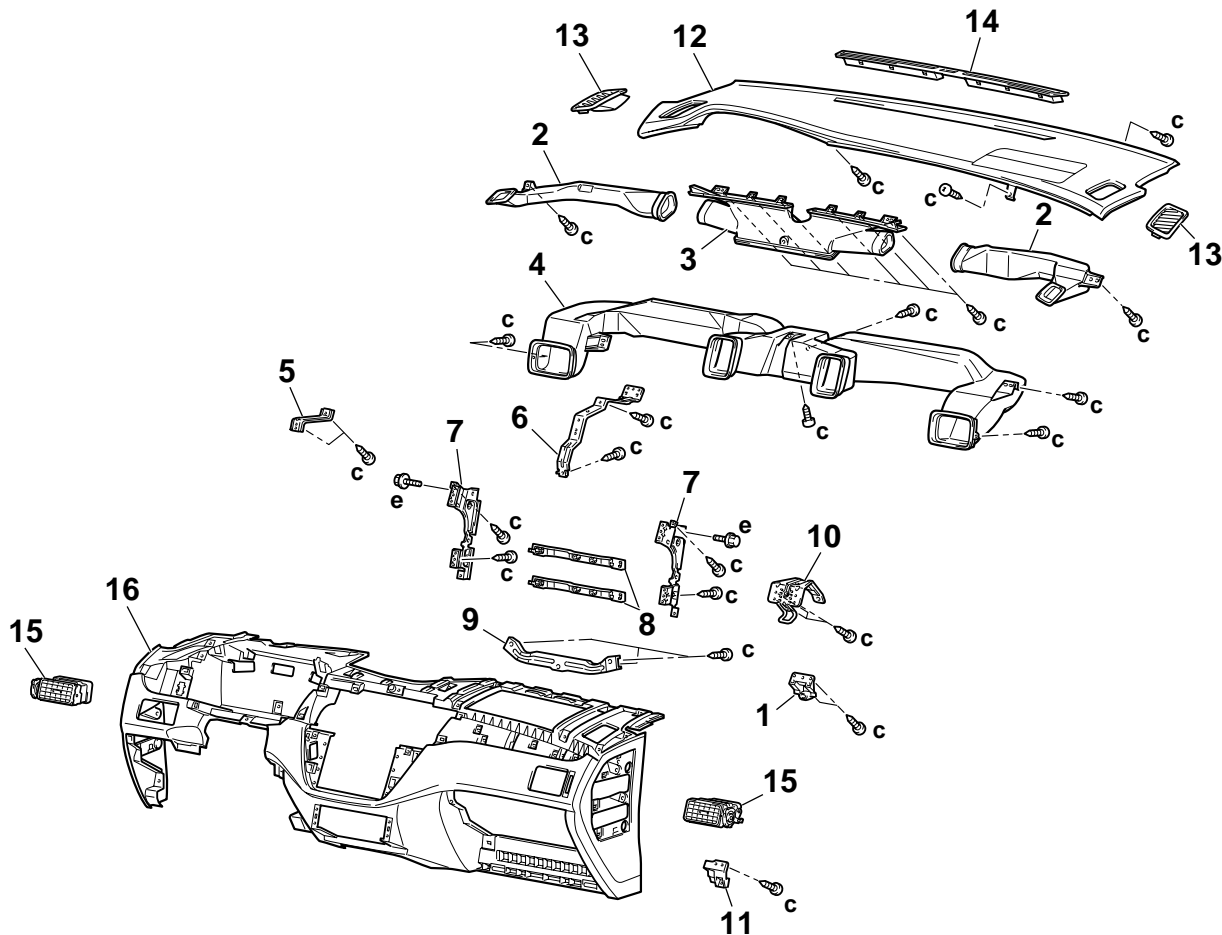
- Do not damage the claws of the hinge when removing the front passenger's air bag module.
- Store the removed front passenger's air bag module facing the deployed side upward in a clean and dry place.

Insert the flat tipped screwdriver into the position shown in the illustration and pull up the screwdriver to disengage the claws for removal of the front passenger's air bag module.



DISASSEMBLY AND ASSEMBLY

M1521001900279



AC005175AB

**DISASSEMBLY STEPS**

1. INSTRUMENT PANEL UPPER SUPPORT
2. SIDE DEFROSTER DUCT
3. CENTER DEFROSTER DUCT
4. DISTRIBUTION DUCT
5. DRIVER SIDE UPPER BRACKET
6. CENTER UPPER REINFORCEMENT
7. INSTRUMENT PANEL CENTER REINFORCEMENT
8. BRIDGE REINFORCEMENT

**DISASSEMBLY STEPS (Continued)**

9. CENTER LOWER REINFORCEMENT
10. GLOVE BOX STRIKER
11. GLOVE BOX COVER
12. INSTRUMENT PANEL PAD
13. SIDE DEMISTER
14. DEFROSTER GARNISH
15. SIDE AIR OUTLET ASSEMBLY
16. INSTRUMENT PANEL

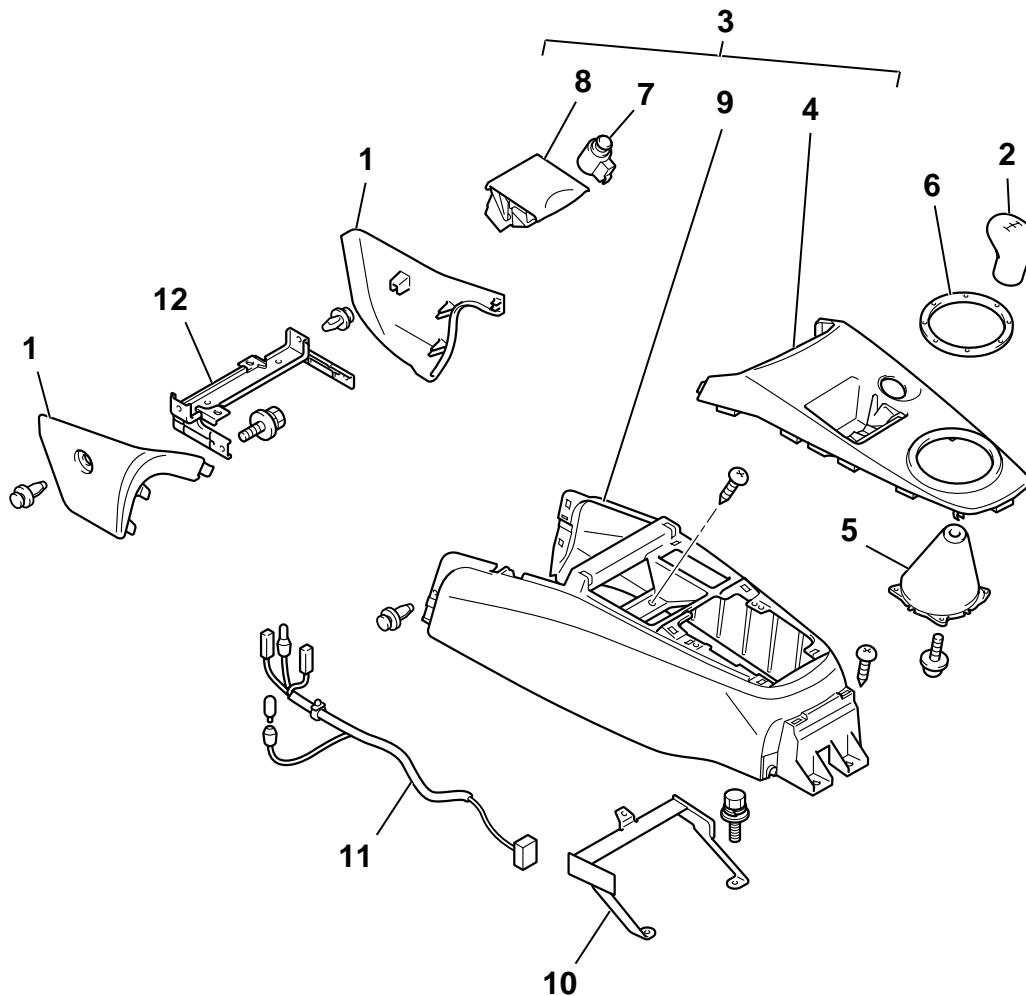
## FRONT FLOOR CONSOLE ASSEMBLY

### REMOVAL AND INSTALLATION

M1521005200034

**Pre-removal and Post-installation Operation**

- Removal and Installation of Rear Floor Console (Refer to [P.52A-8.](#))



AC209992AB

**REMOVAL STEPS**

1. CONSOLE SIDE COVER
2. SHIFT LEVER KNOB
3. FRONT FLOOR CONSOLE ASSEMBLY
4. FRONT FLOOR CONSOLE PANEL
5. M/T SHIFT LEVER COVER
6. SHIFT LEVER PANEL GARNISH
7. CIGARETTE LIGHTER

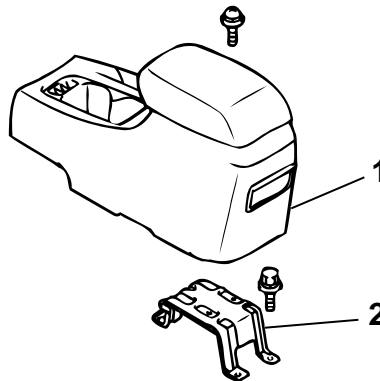
**REMOVAL STEPS (Continued)**

8. ASHTRAY
9. FRONT FLOOR CONSOLE
10. FRONT FLOOR CONSOLE BRACKET
11. HARNESS
12. CONSOLE SIDE COVER BRACKET

## REAR FLOOR CONSOLE ASSEMBLY

### REMOVAL AND INSTALLATION

M1521005700051



AC211586AB

**REMOVAL STEPS**

1. REAR CONSOLE ASSEMBLY
  - REAR SEAT CUSHION ASSEMBLY (REFER TO [P.52A-22.](#))
  - FRONT SCUFF PLATE (REFER TO [P.52A-11.](#))

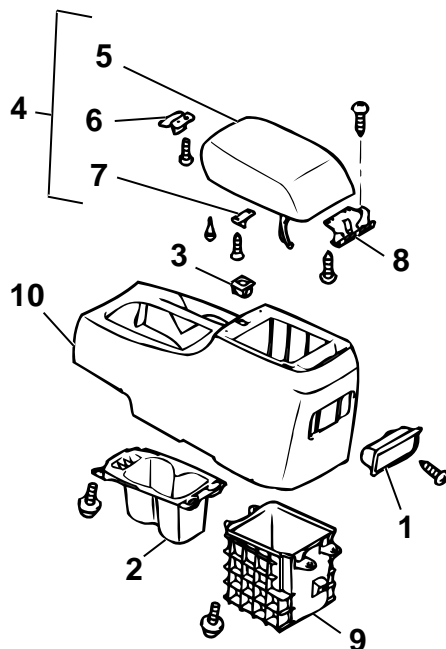
**REMOVAL STEPS (Continued)**

- REAR SCUFF PLATE (REFER TO [P.52A-11.](#))
  - LOWER CENTER PILLAR TRIM (REFER TO [P.52A-11.](#))
  - FLOOR CARPET
2. REAR CONSOLE BRACKET



DISASSEMBLY AND ASSEMBLY

M1521005900077



AC211588AB

**DISASSEMBLY STEPS**

1. ASHTRAY
2. CUP HOLDER
3. HOLE LOCK
4. CONSOLE LID ASSEMBLY
5. CONSOLE LID
6. UPPER LID LOCK
7. LOWER LID STRIKER

**DISASSEMBLY STEPS (Continued)**

8. HINGE BRACKET
9. BOX
10. REAR FLOOR CONSOLE

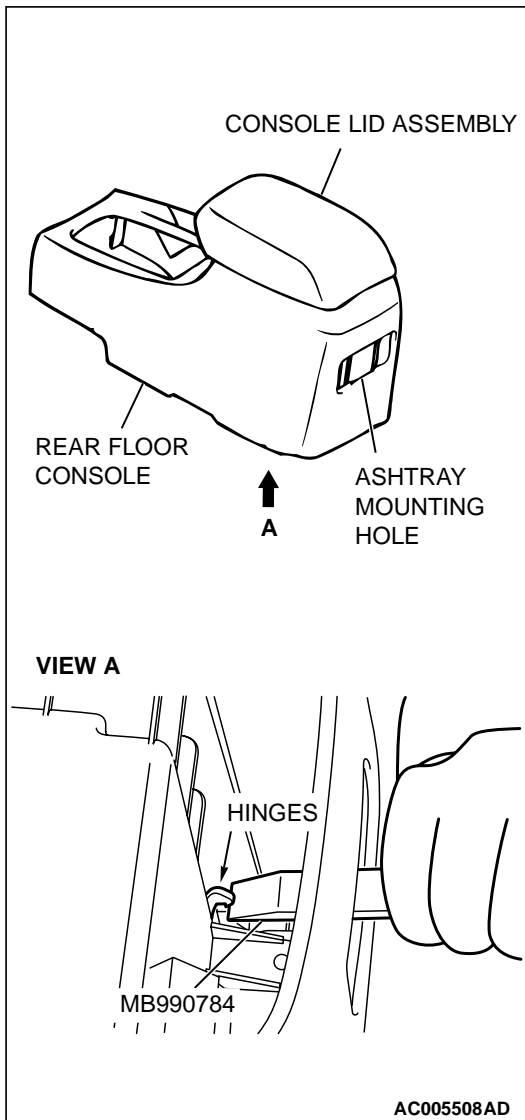
**Required Special Tool:**

- MB990784: Ornament remover

<<A>>

**DISASSEMBLY SERVICE POINT****<<A>> CONSOLE LID ASSEMBLY REMOVAL**

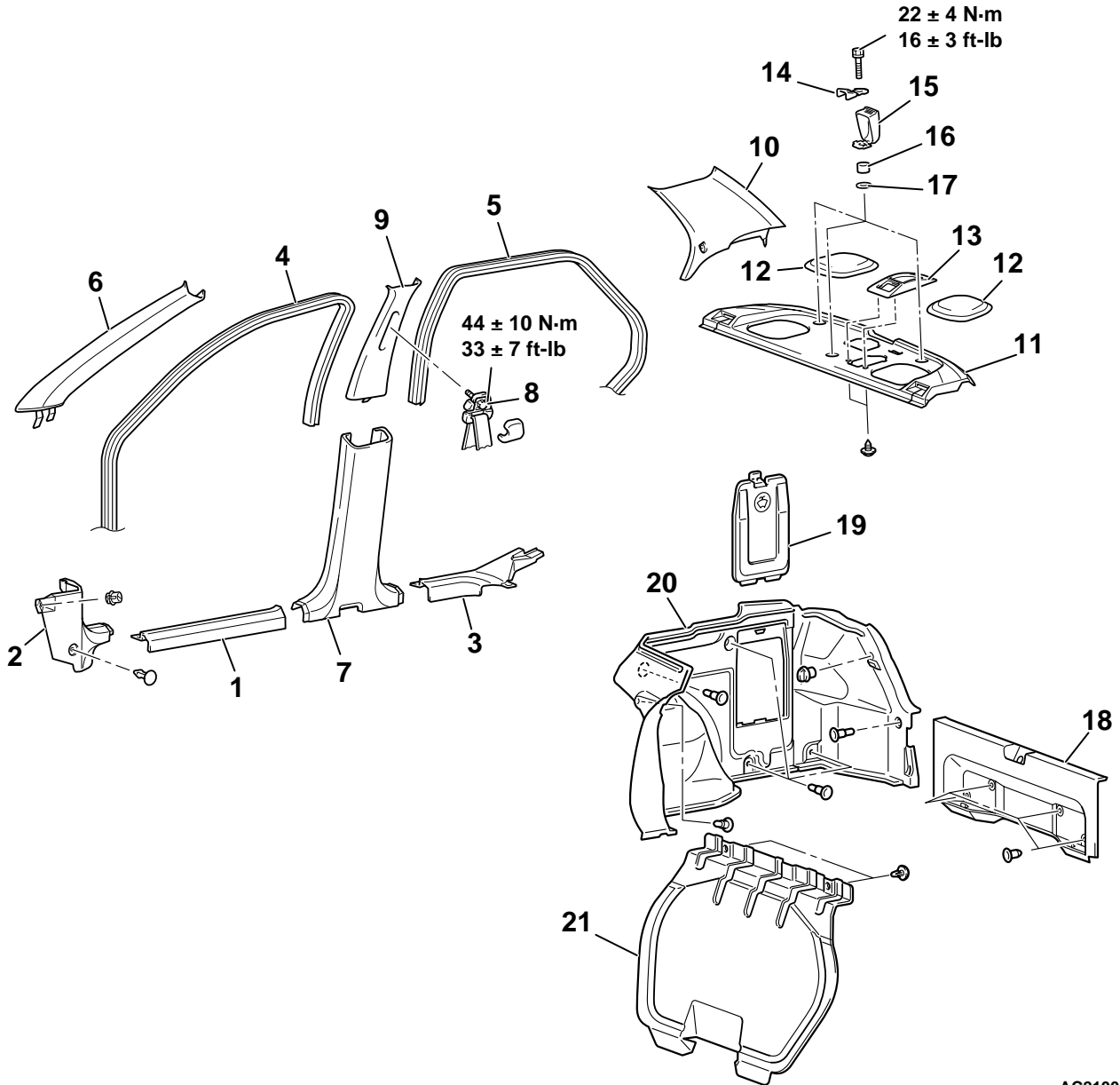
Insert the special tool into the hinges of the console lid assembly and the rear floor console through the ashtray mounting hole to pry for removal.



TRIMS

REMOVAL AND INSTALLATION

M1521001100358

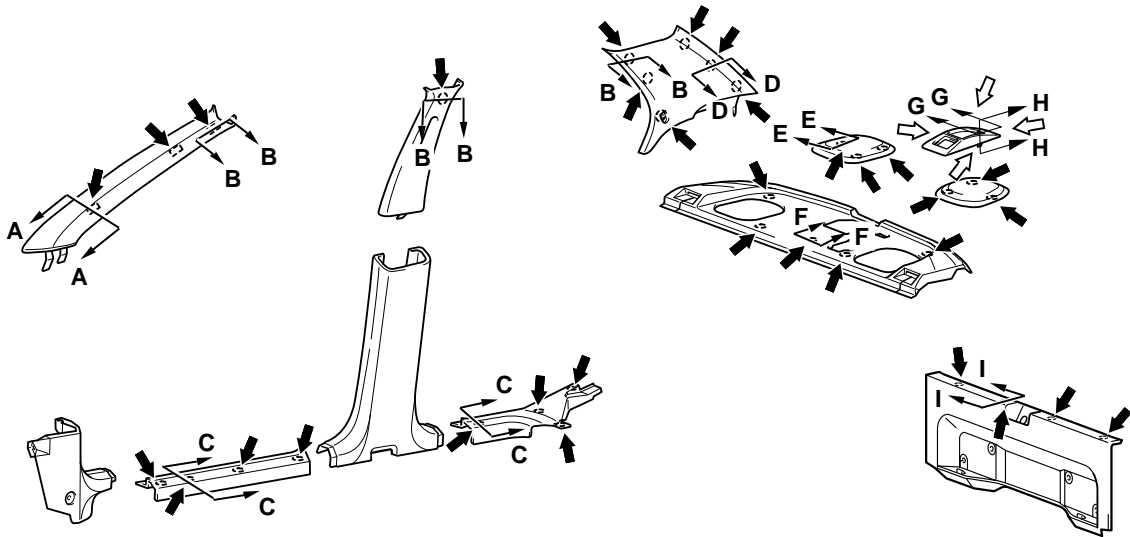


AC210040AB

<<A>>

- |                               |                              |
|-------------------------------|------------------------------|
| 1. FRONT SCUFF PLATE          | 11. REAR SHELF TRIM          |
| 2. COWL SIDE TRIM             | 12. SPEAKER GARNISH          |
| 3. REAR SCUFF PLATE           | 13. RETRACTOR COVER          |
| 4. FRONT DOOR OPENING TRIM    | 14. CHILD RESTRAINT FITTING  |
| 5. REAR DOOR OPENING TRIM     | 15. COVER                    |
| 6. FRONT PILLAR TRIM          | 16. SPACER (10 inch)         |
| 7. LOWER CENTER PILLAR TRIM   | 17. FIBER WASHER             |
| 8. FRONT SEAT BELT CONNECTION | 18. REAR END TRIM            |
| 9. UPPER CENTER PILLAR TRIM   | 19. TRUNK ROOM SIDE TRIM LID |
| 10. REAR PILLAR TRIM          | 20. TRUNK ROOM SIDE TRIM     |
|                               | 21. TRUNK ROOM FRONT TRIM    |

CLIP POSITION



NOTE

- ◄ : CLIP POSITIONS
- ↔ : CLAW POSITIONS

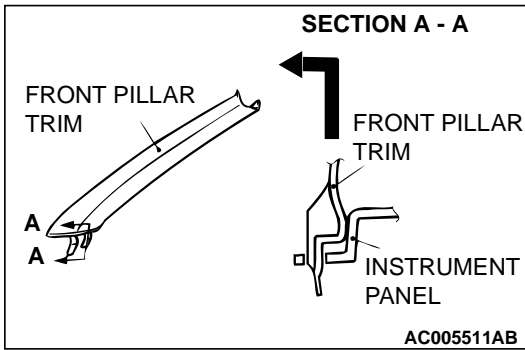
<p><b>SECTION A - A</b></p> <p>CLIP</p> <p>FRONT PILLAR TRIM</p>	<p><b>SECTION B - B</b></p> <p>CLIP</p> <p>HEADLINING</p> <p>FRONT PILLAR TRIM, UPPER CENTER PILLAR TRIM, REAR PILLAR TRIM</p>	<p><b>SECTION C - C</b></p> <p>FRONT SCUFF PLATE, REAR SCUFF PLATE</p> <p>CLIP</p>
<p><b>SECTION D - D</b></p> <p>CLIP</p> <p>REAR PILLAR TRIM</p>	<p><b>SECTION E - E</b></p> <p>SPEAKER GARNISH</p> <p>CLIP</p>	<p><b>SECTION F - F</b></p> <p>REAR SHELF TRIM</p> <p>CLIP</p>
<p><b>SECTION G - G</b></p> <p>REAR SHELF TRIM</p> <p>RETRACTOR COVER</p>	<p><b>SECTION H - H</b></p> <p>REAR SHELF TRIM</p> <p>CLAW</p>	<p><b>SECTION I - I</b></p> <p>REAR END TRIM</p> <p>CLIP</p>

AC210049AB

**REMOVAL SERVICE POINT**

**<<A>> FRONT PILLAR TRIM REMOVAL**

Release the clip to pull towards the direction shown in the illustration and remove the front pillar trim.

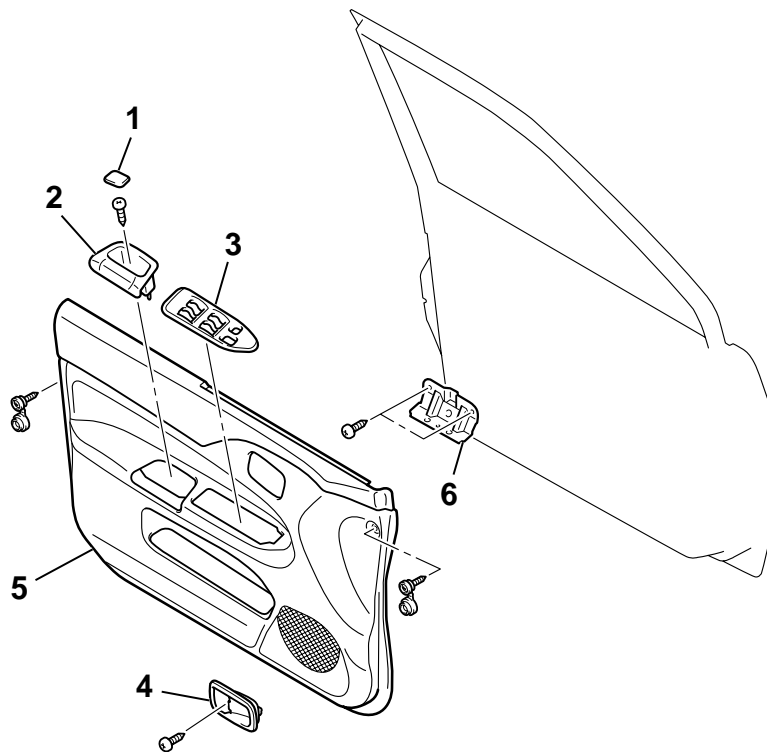


**DOOR TRIM**

**REMOVAL AND INSTALLATION**

M1521006400086

<FRONT DOOR TRIM>



AC210022AB

**FRONT DOOR TRIM REMOVAL STEPS**

1. CAP
2. PULL HANDLE BOX
3. POWER WINDOW SWITCH PANEL ASSEMBLY
4. DOOR INSIDE HANDLE COVER

**FRONT DOOR TRIM REMOVAL STEPS (Continued)**

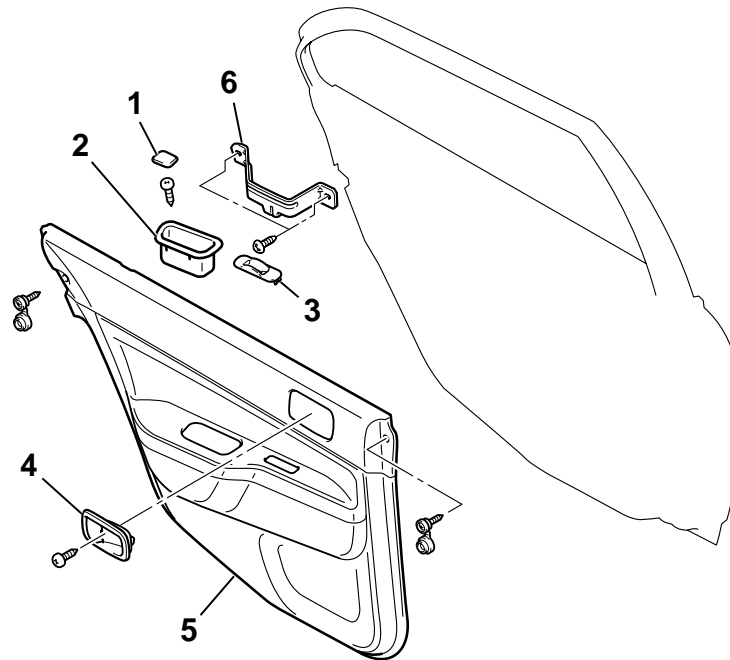
5. FRONT DOOR TRIM
6. FRONT DOOR PULL HANDLE BRACKET

**Required Special Tool:**

- MB990784: Ornament remover

<<A>>

&lt;REAR DOOR TRIM&gt;



AC210019AB

**REAR DOOR TRIM REMOVAL  
STEPS**

1. CAP
2. PULL HANDLE BOX
3. POWER WINDOW SWITCH  
PANEL ASSEMBLY
4. DOOR INSIDE HANDLE COVER

**REAR DOOR TRIM REMOVAL  
STEPS (Continued)**

5. REAR DOOR TRIM
6. REAR DOOR PULL HANDLE  
BRACKET

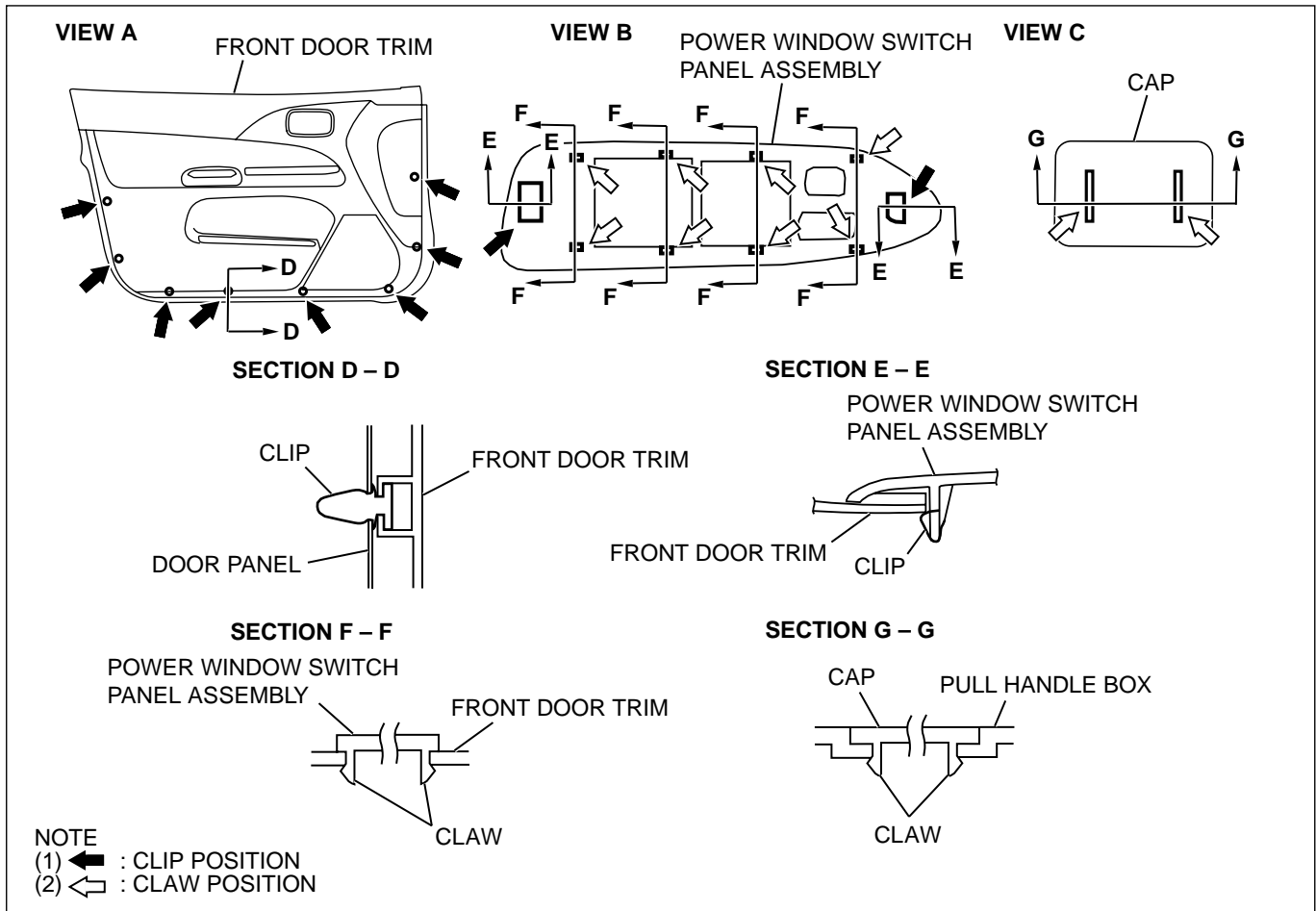
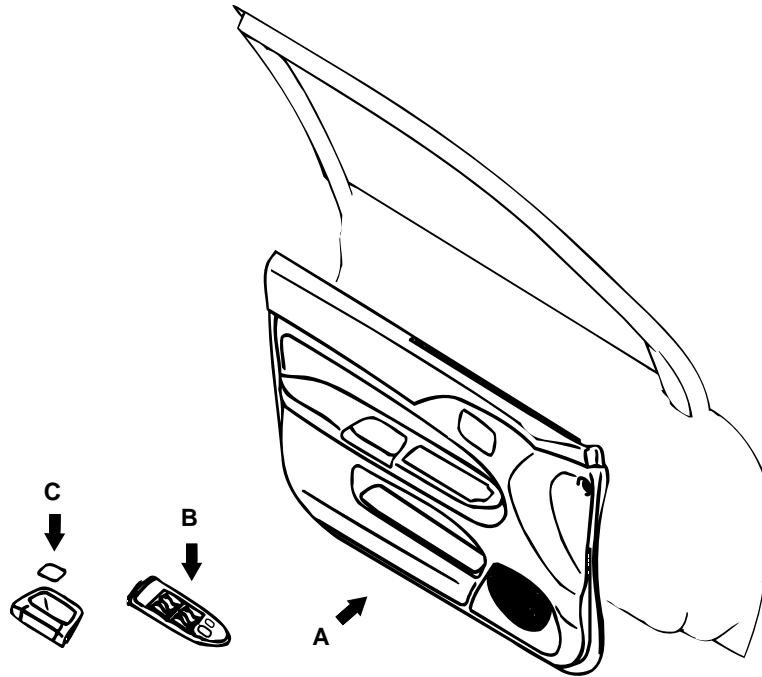
&lt;&lt;A&gt;&gt;

**Required Special Tool:**

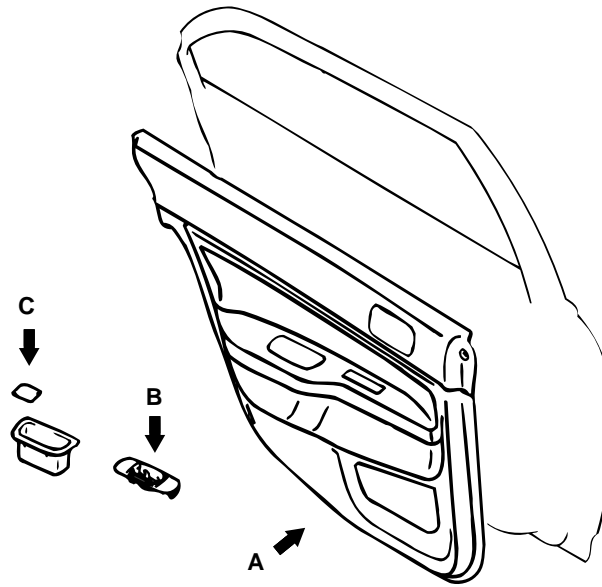
- MB990784: Ornament remover

CLIP AND CLAW POSITIONS

<FRONT DOOR TRIM>

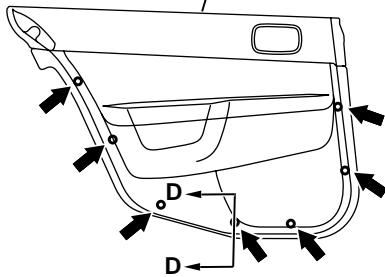


AC210245AB



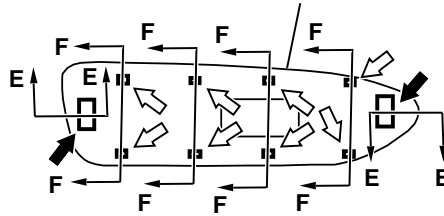
VIEW A

REAR DOOR TRIM



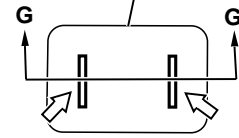
VIEW B

POWER WINDOW SWITCH  
PANEL ASSEMBLY

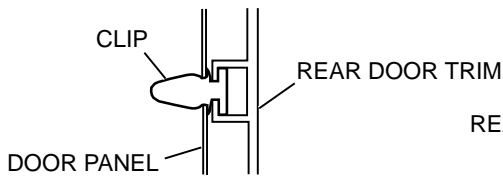


VIEW C

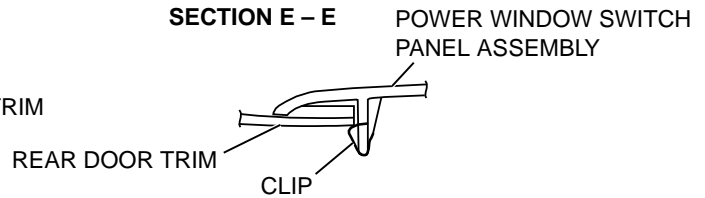
CPA



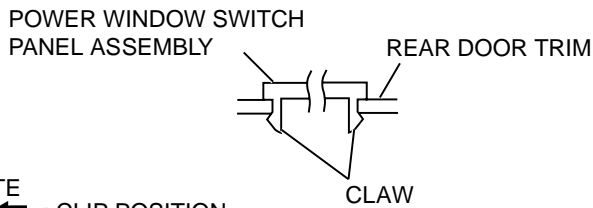
SECTION D - D



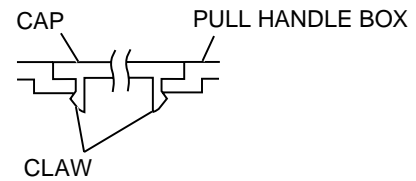
SECTION E - E



SECTION F - F



SECTION G - G



NOTE

- (1) : CLIP POSITION
- (2) : CLAW POSITION

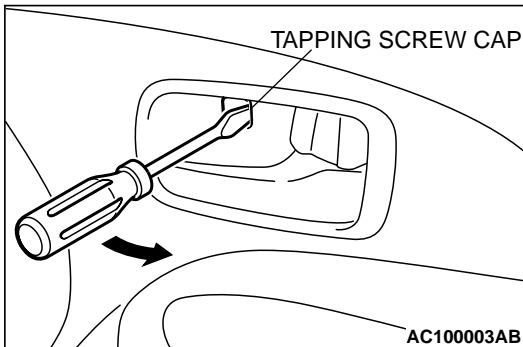
AC211593AB



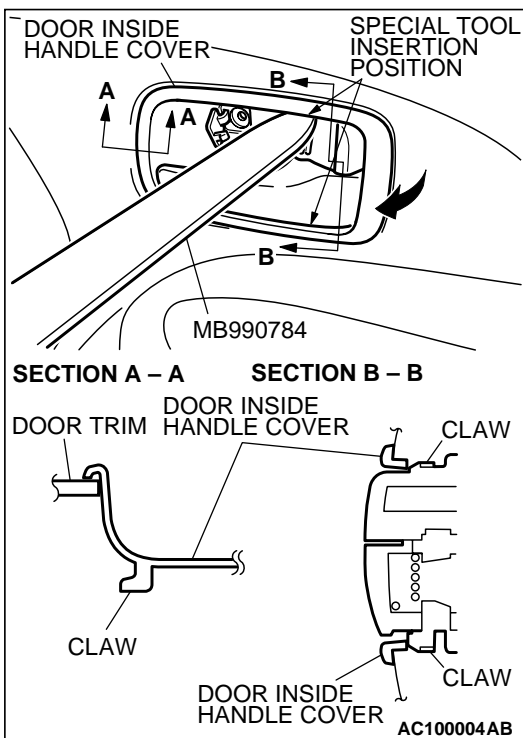
**REMOVAL SERVICE POINT**

**<<A>> DOOR INSIDE HANDLE COVER REMOVAL**

1. Insert a flat-tipped screwdriver into the rear end of the tapping screw cap on the door inside handle cover, and prize out the cap to the direction shown. Then remove the tapping screw.



2. Insert special tool MB990784 into the clearance between the door inside handle cover and the door inside handle, and disengage the claws of the door inside handle.
3. Insert special tool MB990784 into the rear end of the inside handle cover, and prize out the cover to the direction shown. Then remove the door inside handle cover.



# HEADLINING

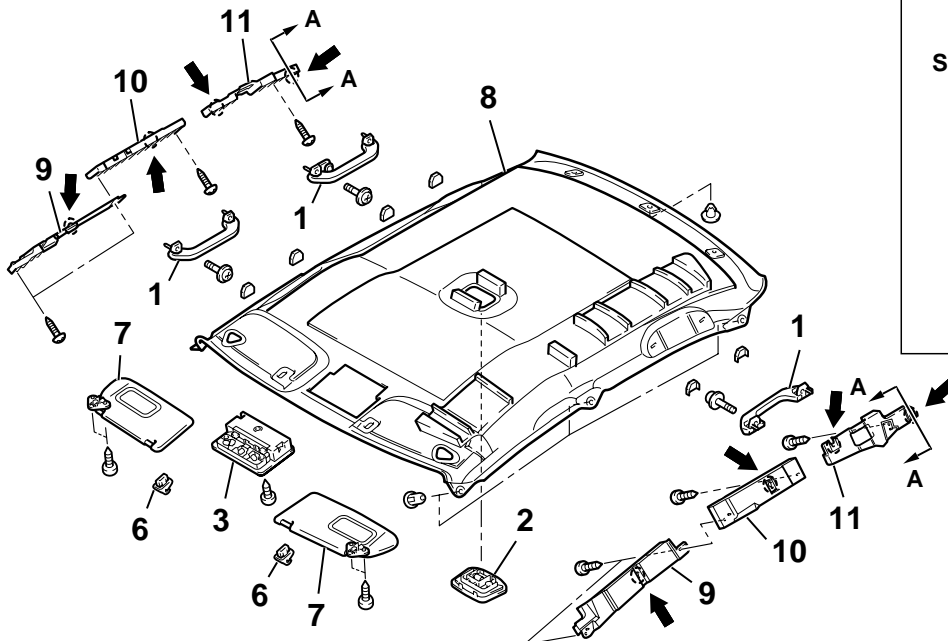
## REMOVAL AND INSTALLATION

M1521001400274

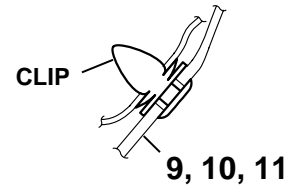
**Pre-removal and Post-installation Operation**

- Removal and Installation of Front Pillar Trim, Upper Center Pillar Trim, Rear Pillar Trim (Refer to P.52A-11.)

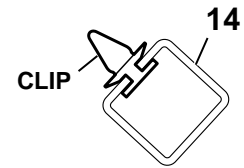
<VEHICLE WITHOUT SUNROOF>



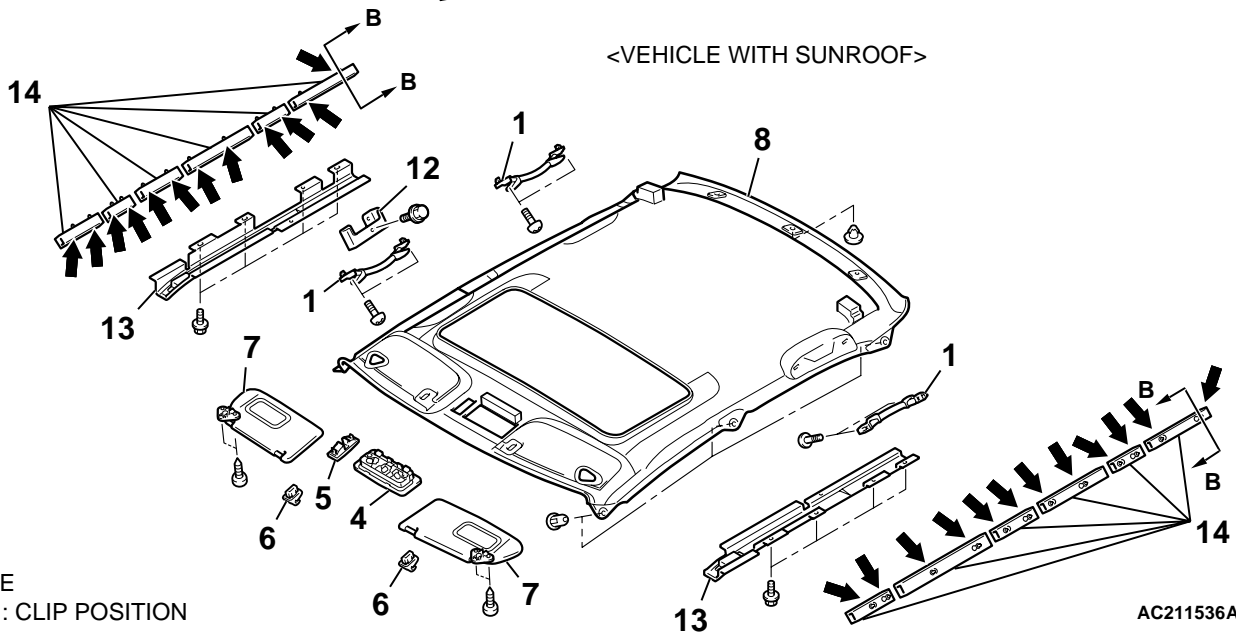
**SECTION A – A**



**SECTION B – B**



<VEHICLE WITH SUNROOF>



NOTE

← : CLIP POSITION

AC211536AB

**REMOVAL STEPS**

1. ASSIST GRIP
2. REAR DOME LIGHT ASSEMBLY  
<VEHICLE WITHOUT SUNROOF>
3. FRONT DOME LIGHT WITH  
SUNGLASSES POCKET <VEHICLE  
WITHOUT SUNROOF>
4. FRONT DOME LIGHT <VEHICLE  
WITH SUNROOF>
5. SUNROOF SWITCH COVER  
<VEHICLE WITH SUNROOF>
6. SUN VISOR HOLDER
7. SUN VISOR ASSEMBLY
  - FRONT FLOOR CONSOLE  
ASSEMBLY (REFER TO P.52A-7.)
8. HEADLINING

<<A>>

<<B>>

**REMOVAL STEPS (Continued)**

9. SIDE ROOF BOX, FRONT  
<VEHICLE WITHOUT SUNROOF>
10. SIDE ROOF BOX, CENTER  
<VEHICLE WITHOUT SUNROOF>
11. SIDE ROOF BOX, REAR <VEHICLE  
WITHOUT SUNROOF>
12. ASSIST GRIP BRACKET <VEHICLE  
WITH SUNROOF>
13. ROOF ENERGY ABSORBER  
BRACKET <VEHICLE WITH  
SUNROOF>
14. ENERGY ABSORBER TUBE  
<VEHICLE WITH SUNROOF>

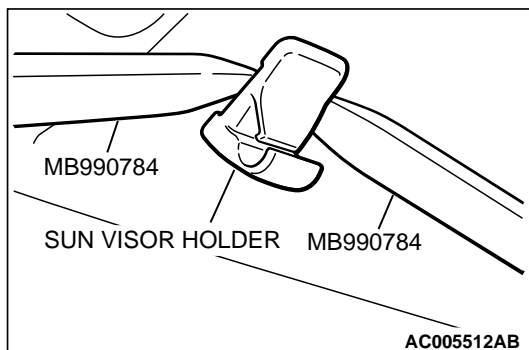
**Required Special Tool:**

- MB990784: Ornament remover

**REMOVAL SERVICE POINTS**

**<<A>> SUN VISOR HOLDER REMOVAL**

Insert special tool MB990784 into sides claws of the sun visor holder through the both sides of the sun visor holder to remove the hinges.



**<<B>> HEADLINING REMOVAL**

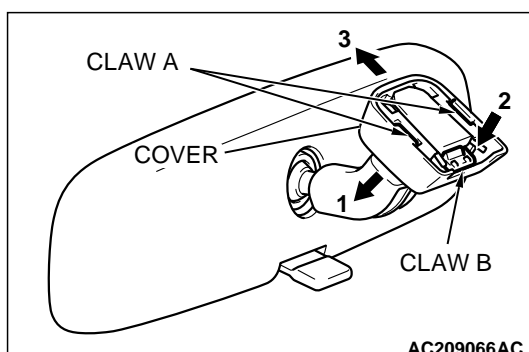
Bend the headlining to remove from the front passenger's door.

**INSIDE REAR VIEW MIRROR**

M1521002600152

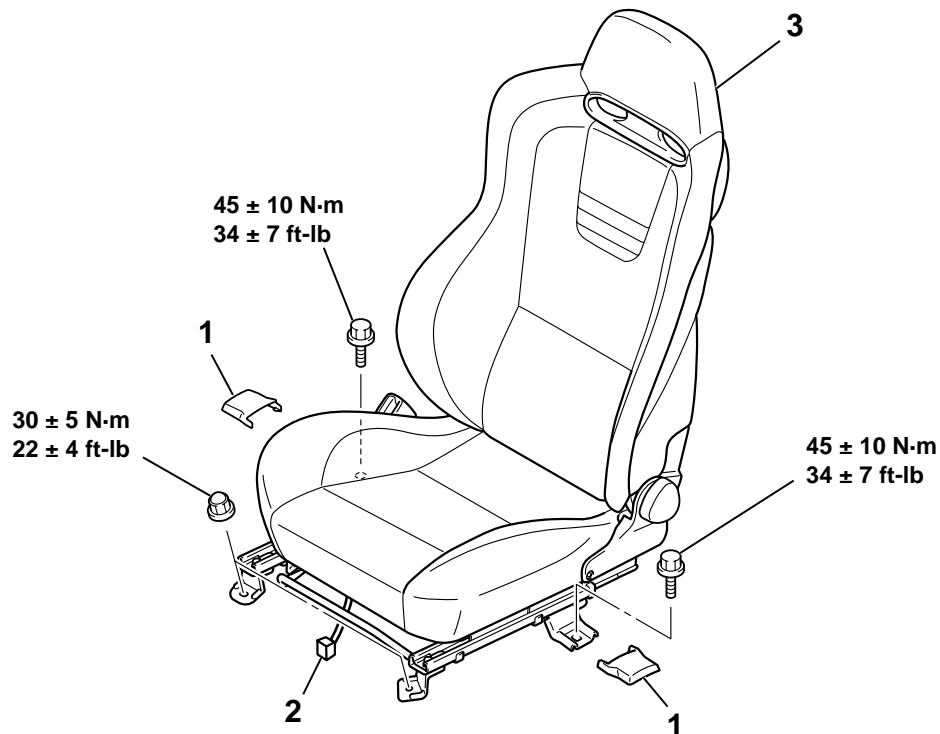
**REMOVAL SERVICE POINT**

1. Disengage the claw A and lower the cover toward arrow 1 direction.
2. Push the claw B toward arrow 2 direction to unlock, and pull out the mirror toward arrow 3 direction.



**FRONT SEAT ASSEMBLY****REMOVAL AND INSTALLATION**

M1522001300281



AC210735AB

**REMOVAL STEPS**

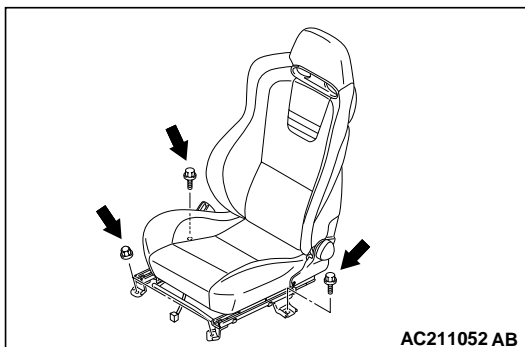
1. FRONT SEAT ANCHOR COVER

**REMOVAL STEPS (Continued)**

2. HARNESS CONNECTOR
3. FRONT SEAT ASSEMBLY

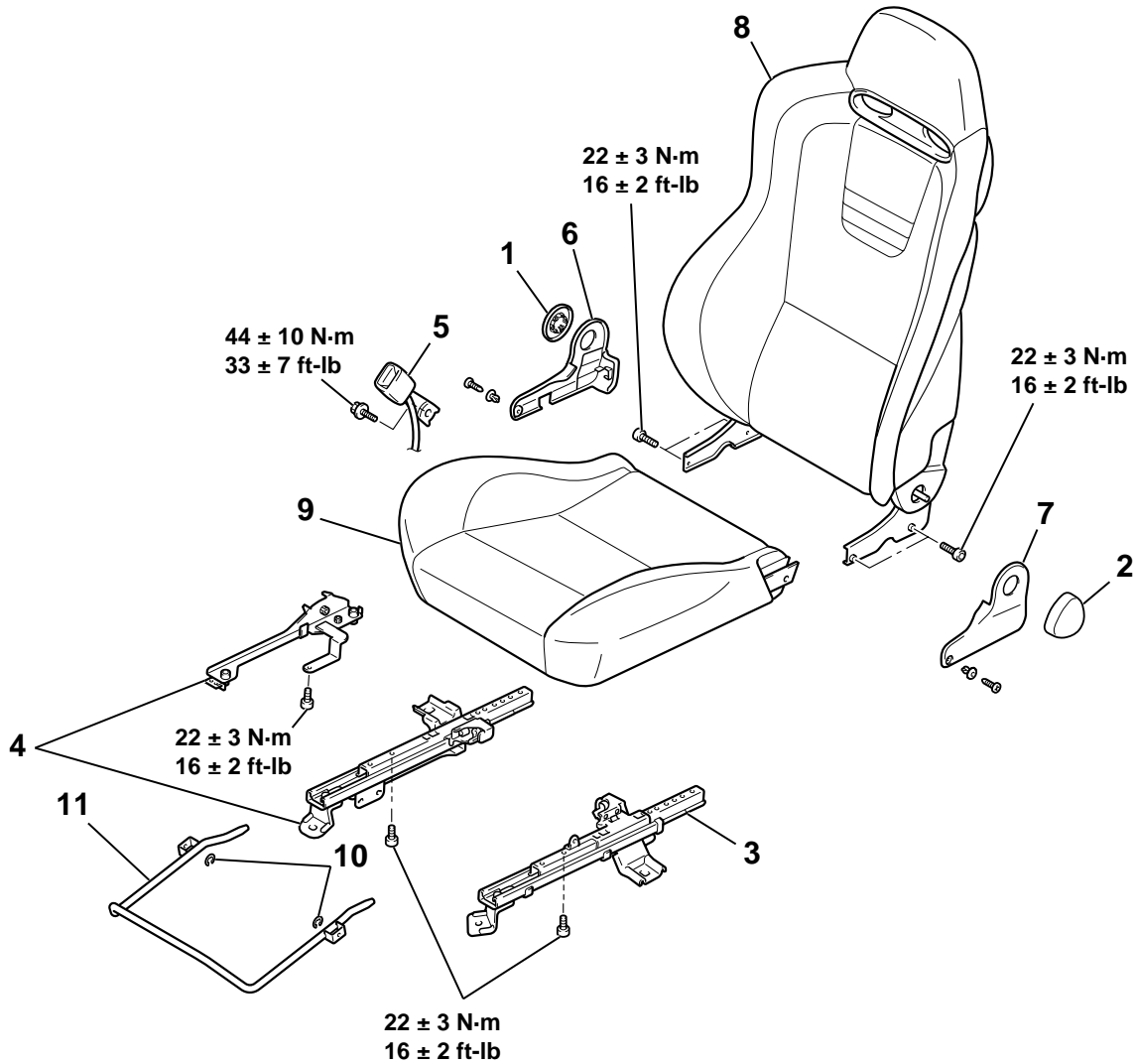
**INSTALLATION SERVICE POINT****>>A<< FRONT SEAT ASSEMBLY INSTALLATION**

1. Temporarily tighten the nuts and bolts in all mounting locations shown in the illustration with no load applied to the front seat cushion and check the operation of the seat slide.
2. Tighten the nuts and bolts in all mounting locations to the specified torque.



DISASSEMBLY AND ASSEMBLY

M1522001500359



AC210103AB

**DISASSEMBLY STEPS**

1. CAP
2. RECLINING ADJUSTER KNOB
3. SLIDE ADJUSTER OUTER
4. SLIDE ADJUSTER INNER
5. INNER SEAT BELT
6. CUSHION SHIELD INNER

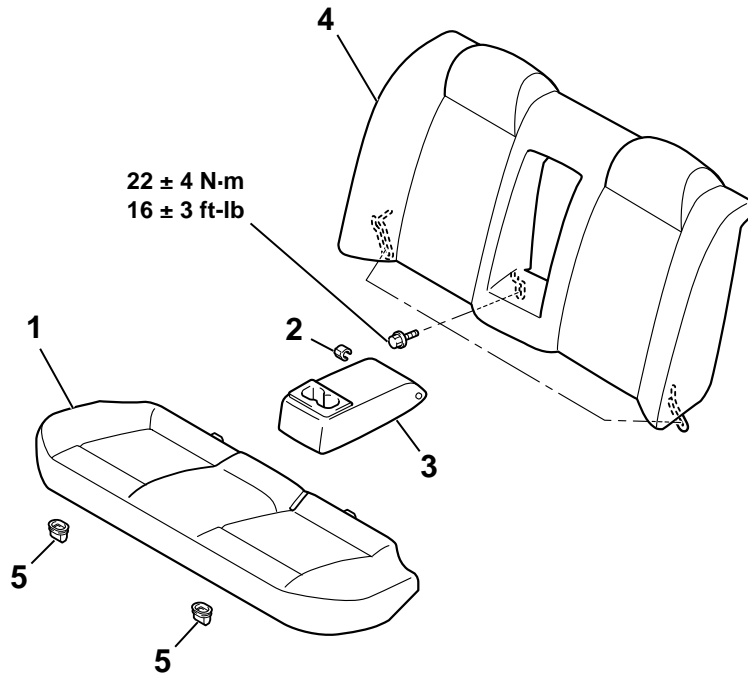
**DISASSEMBLY STEPS (Continued)**

7. CUSHION SHIELD OUTER
8. SEATBACK ASSEMBLY
9. SEAT CUSHION ASSEMBLY
10. SNAP RING
11. SLIDE ADJUSTER LEVER

# REAR SEAT ASSEMBLY

## REMOVAL AND INSTALLATION

M1522001800231



AC210050AB

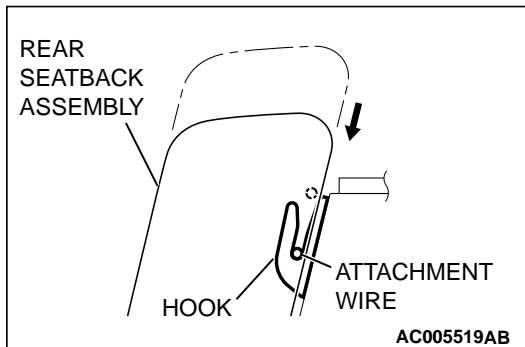
- >>B<<**
- REMOVAL STEPS**
1. REAR SEAT CUSHION ASSEMBLY
  2. ARMREST SPACER

- REMOVAL STEPS (Continued)**
- >>A<<**
3. ARMREST
  4. REAR SEATBACK ASSEMBLY
  5. REAR SEAT HOOK

## INSTALLATION SERVICE POINTS

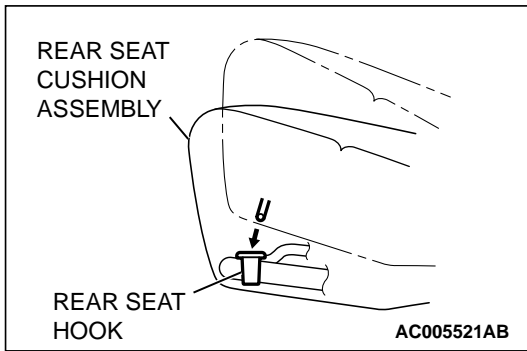
### >>A<< INSTALLATION OF REAR SEATBACK ASSEMBLY

Press the rear seatback assembly in the direction shown in the illustration and fit the attachment wire into the hook securely to install the rear seatback assembly.



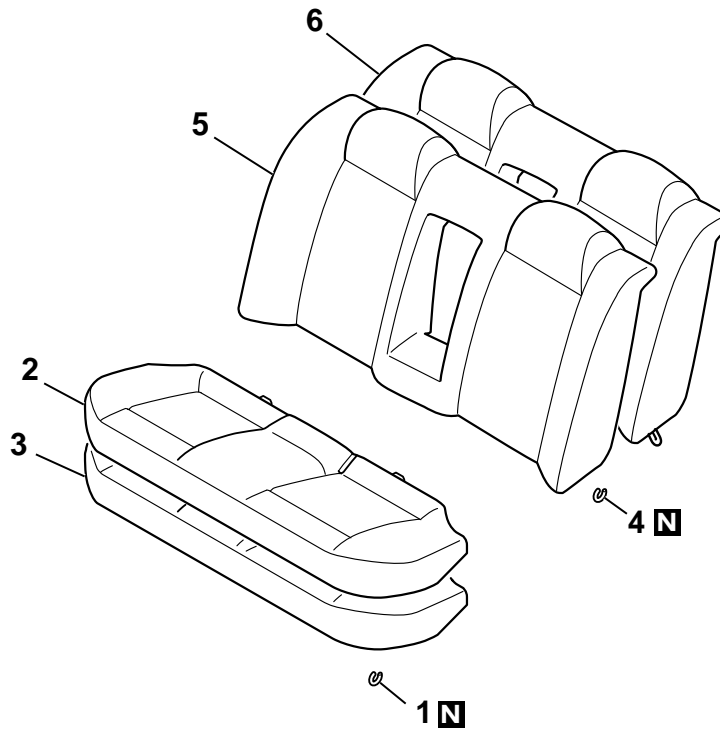
>>B<< INSTALLATION OF REAR SEAT CUSHION  
ASSEMBLY

Fit the rear seat cushion into the rear seat hook securely.



DISASSEMBLY AND ASSEMBLY

M1522002000294



AC210052AB

**DISASSEMBLY STEPS**

1. HOG RING
2. REAR SEAT CUSHION COVER
3. REAR SEAT CUSHION PAD

**DISASSEMBLY STEPS (Continued)**

4. HOG RING
5. REAR SEATBACK COVER
6. REAR SEATBACK PAD

## FRONT SEAT BELT

## REMOVAL AND INSTALLATION

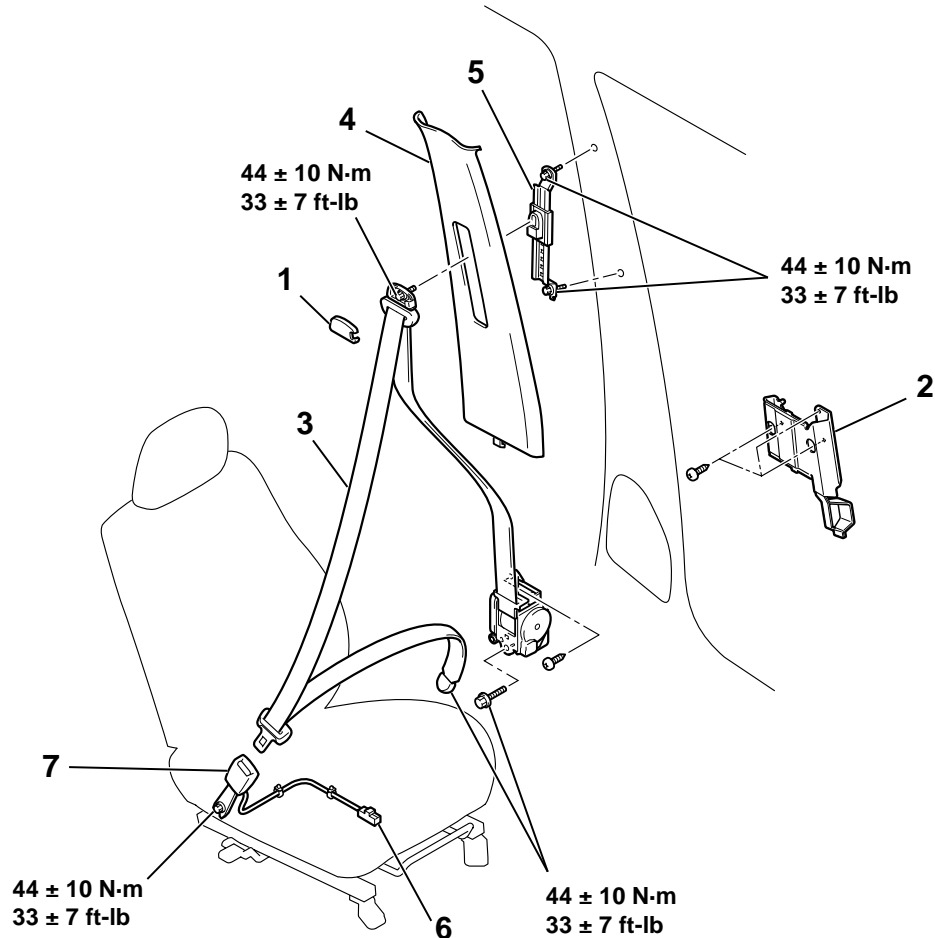
M1523001300284

**CAUTION**

**SRS:** Before removing and installing the seat belts with pre-tensioner, refer to **GROUP 52B, Seat Belts with Pre-tensioner P.52B-197**.

**Pre-removal and Post-installation Operation**

- Turn the ignition key to the LOOK (OFF) position.
- Disconnect the negative battery terminal.



AC210265AB

**OUTER SEAT BELT REMOVAL STEPS**

1. SASH GUIDE COVER
- LOWER CENTER PILLAR TRIM (REFER TO [P.52A-11.](#))
2. BRACKET
3. OUTER SEAT BELT (REFER TO **GROUP 52B, SEAT BELTS WITH PRE-TENSIONER P.52B-197**)

**OUTER SEAT BELT REMOVAL STEPS (Continued)**

4. UPPER CENTER PILLAR TRIM (REFER TO [P.52A-11.](#))

**INNER SEAT BELT REMOVAL STEPS**

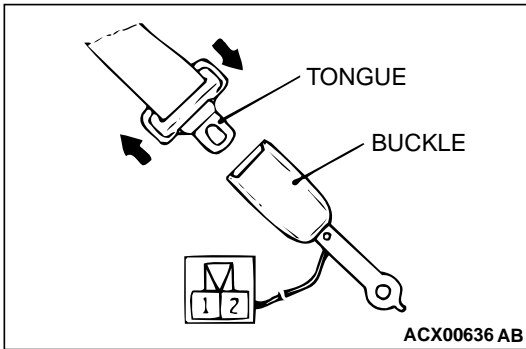
6. HARNESS CONNECTOR
  - SHIELD COVER (REFER TO [P.52A-21.](#))
7. INNER SEAT BELT



INSPECTION

M1523001400292

SEAT BELT SWITCH CONTINUITY CHECK

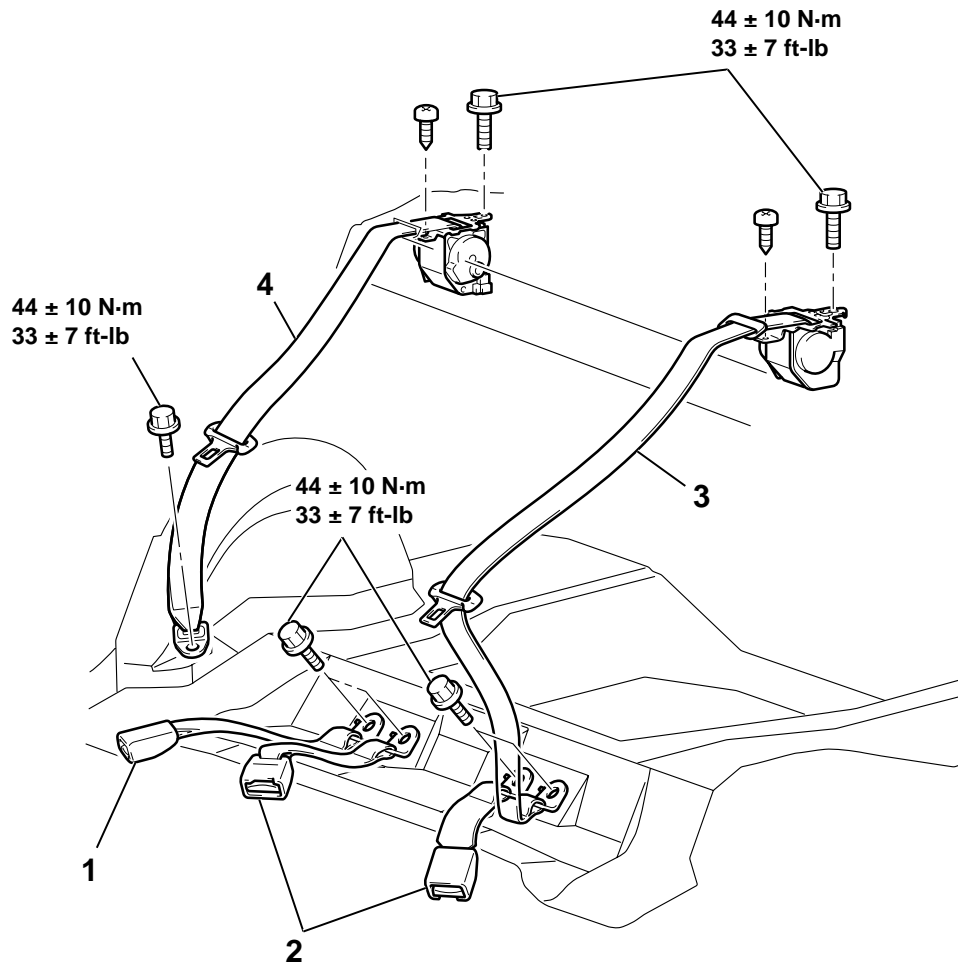


ITEMS	TESTER CONNECTION	SPECIFIED CONDITION
Fastened seat belt	1 – 2	Open circuit
Unfastened seat belt	1 – 2	Less than 2 ohms

REAR SEAT BELT

REMOVAL AND INSTALLATION

M1523001600285



AC211443AB

**REMOVAL STEPS**

- REAR SEAT CUSHION ASSEMBLY (REFER TO P.52A-22.)
- REAR SEATBACK ASSEMBLY (REFER TO P.52A-22.)
- REAR SHELF TRIM (REFER TO P.52A-11.)

**REMOVAL STEPS (Continued)**

1. CENTER SEAT BELT, INNER
2. INNER SEAT BELT
3. CENTER SEAT BELT, OUTER
4. OUTER SEAT BELT

**SPECIFICATIONS****FASTENER TIGHTENING SPECIFICATION**

M1521004100205

ITEM	SPECIFICATION
<b>TRIMS</b>	
Child restraint fitting bolt	22 ± 4 N·m (16 ± 3 ft-lb)
<b>FRONT SEAT ASSEMBLY</b>	
Seatback assembly bolt	22 ± 3 N·m (16 ± 2 ft-lb)
Front seat assembly bolt	45 ± 10 N·m (34 ± 7 ft-lb)
Front seat assembly nut	30 ± 5 N·m (22 ± 4 ft-lb)
Slide adjuster inner bolt	22 ± 3 N·m (16 ± 2 ft-lb)
Slide adjuster outer bolt	22 ± 3 N·m (16 ± 2 ft-lb)
<b>REAR SEAT ASSEMBLY</b>	
Rear seatback assembly bolt	22 ± 4 N·m (16 ± 3 ft-lb)
<b>FRONT SEAT BELT</b>	
Adjustable seat belt anchor bolt	44 ± 10 N·m (33 ± 7 ft-lb)
Inner seat belt bolt	44 ± 10 N·m (33 ± 7 ft-lb)
Outer seat belt bolt	44 ± 10 N·m (33 ± 7 ft-lb)
<b>REAR SEAT BELT</b>	
Center seat belt, inner bolt	44 ± 10 N·m (33 ± 7 ft-lb)
Center seat belt, outer bolt	44 ± 10 N·m (33 ± 7 ft-lb)
Inner seat belt bolt	44 ± 10 N·m (33 ± 7 ft-lb)
Outer seat belt bolt	44 ± 10 N·m (33 ± 7 ft-lb)